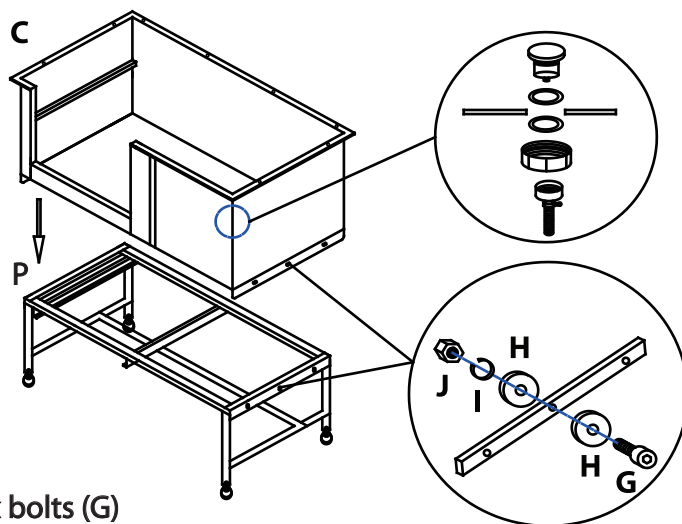
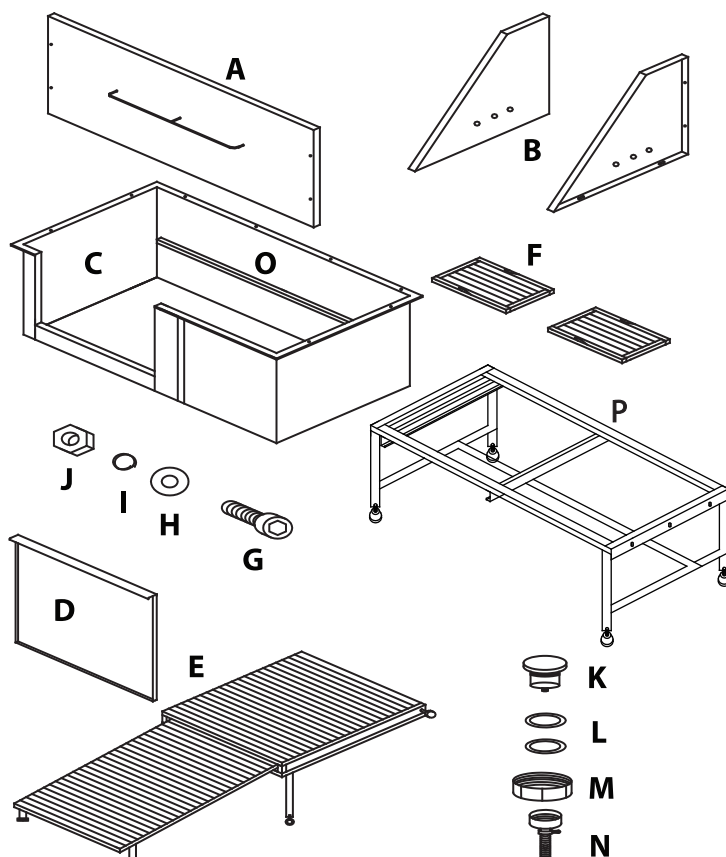


## Parts List:

- A) Tub Backsplash (1)
- B) Tub Sidesplash (2)
- C) Tub Basin (1)
- D) Door (1)
- E) Retractable Ramp (1)
- F) Tub Rack (2)
- G) Hex Bolts (19)
- H) Washers (38)
- I) Spring Washers (19)
- J) Nuts (19)
- K) Drain (1)
- L) Rubber Gaskets (2)
- M) Fixed Nut (1)
- N) Plumbing Hose (1)
- O) Tub Rack Ledge
- P) Tub Base (1)

### Tools Included:

- Hex Wrench
- Hex Screwdriver

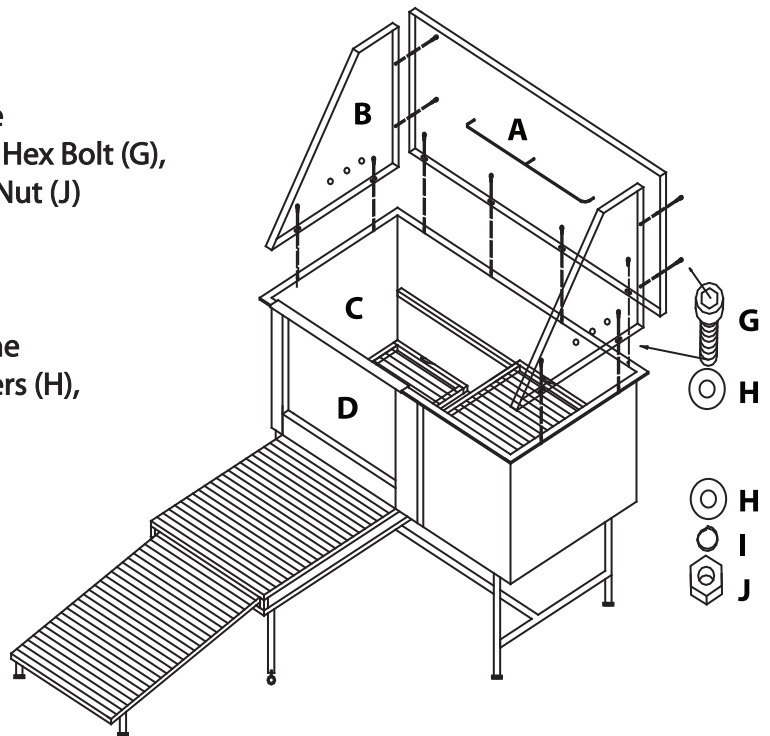


## Assembly: Steps 1–2

1. Put the tub basin (C) on the base (P), bolt the hex bolts (G) washer (H), spring washer (I) and nut (J) to every pre-drilled hole in the tub base (P), as per the attached illustration.
2. Put the sponge gasket (L) into the drain (K), and then put them into the hole of the tub basin (C) put the rubber gasket (L) into the drain (K) and use the plastic fix nut (M) to bolt the rubber gasket (L). Connect the hose for the drainage (N) to the drain (K).

## Assembly continued: Steps 3–5

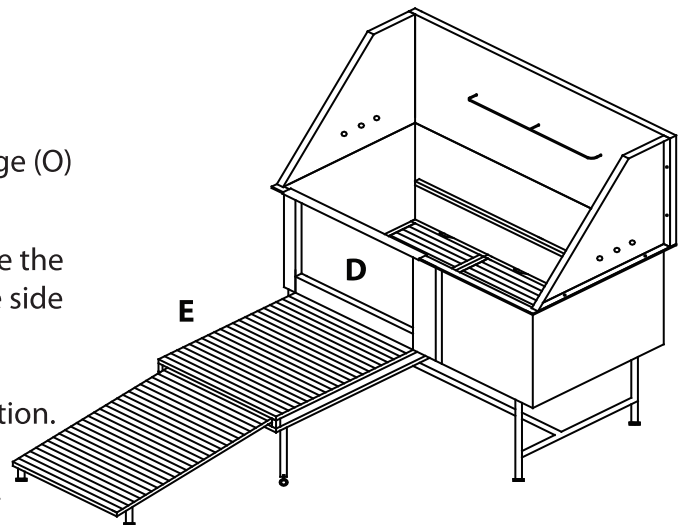
3. Attach the Backsplash (A) to the back of the Tub Basin (C) opposite the Door (D) using a Hex Bolt (G), two Washers (H), a Spring Washer (I), and a Nut (J) in every pre-drilled hole, as pictured in the illustration to the right.
4. Bolt the bottom of each Sidesplash (B) to the Tub Basin (C). Use a Hex Bolt (G), two Washers (H), a Spring Washer (I), and a nut (J) in every pre-drilled hole.
5. Bolt the side of each Sidesplash (B) to the Backsplash (A) with remaining Hex Bolts, Washers, Spring Washers, and Nuts in every hole.



## Assembly continued: Steps 6–10

6. Place the Tub Racks (F) into the Tub Basin (C).
7. To raise the Tub Racks (F) to a higher level, rest one or both Tub Racks on the Tub Rack Ledge (O) in the center of the Tub Basin (C).
8. Adjust the leveling feet on the tub stand to have the drain approximately  $\frac{1}{8}$ " lower than the opposite side of the Tub. This allows water to drain better.
9. Adjust the Retractable Ramp (E) to desired position.
10. Slide Door (D) up and down to open and close.

## Finished Assembly



## CARE INSTRUCTIONS

Rinse thoroughly after bathing pet. Make sure tub is clean and dry after use. Clean with mild soap or a stainless steel-approved cleaner only. Do not use harsh or abrasive cleaners, bleach, or tools with metal or textured parts, as these can scratch or damage the tub.

## LIMITED WARRANTY

This Master Equipment® Superior Stainless Steel Tub is warranted against defective material or workmanship for one year from the date of purchase. Any Master Equipment® product that is determined to be defective in material or workmanship during the warranty period will be replaced without cost to the purchaser for parts or labor. Please contact Boss Pet Products Customer Service at 1-800-638-5754 regarding any defective product. Boss Pet Products will not be liable under this warranty for any defect, failure or malfunction of this product caused by normal wear, abuse, misuse, unauthorized adjustments or repairs. Boss Pet Products will not be liable for any incidental or consequential damages of any type. Any implied warranty is limited to the one-year period provided in this express warranty. Some states do not allow limitations on how long an implied warranty lasts or exclusion or limitation of incidental or consequential damages, so the above limitations or exclusions may not apply to you. Warranty is void if product has been modified in any manner, repaired by anyone other than Boss Pet Products or has been subject to unreasonable use. Warranty is valid in the United States.

Date Purchase: \_\_\_\_\_

**bpp**  
boss.pet.products

Manufactured for  
© Boss Pet Products, Inc., Danvers, MA 01923  
MADE IN CHINA

TP382 Master Equipment  
Superior Stainless Tub