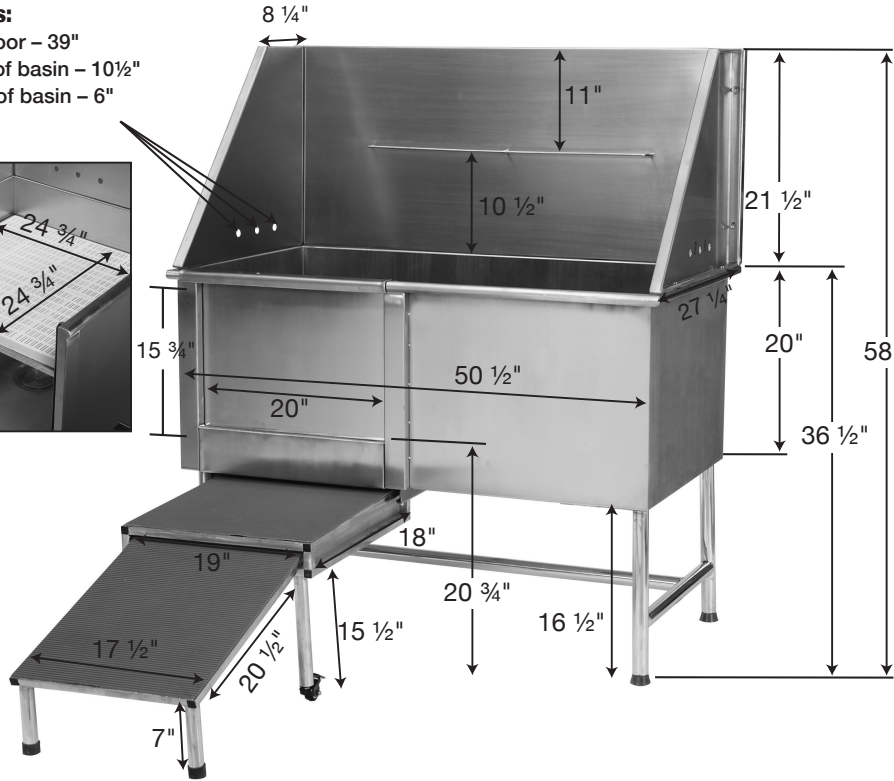
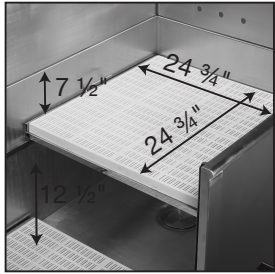


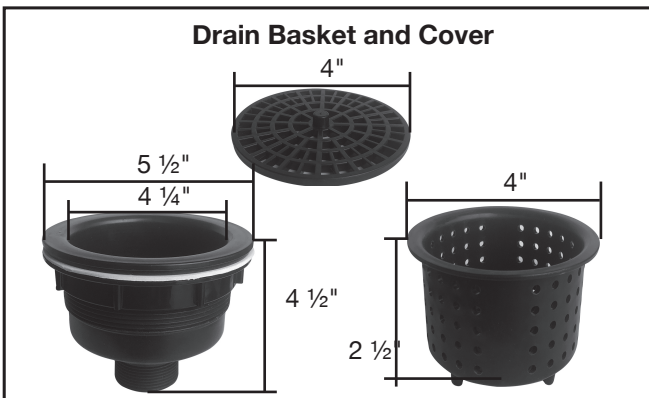
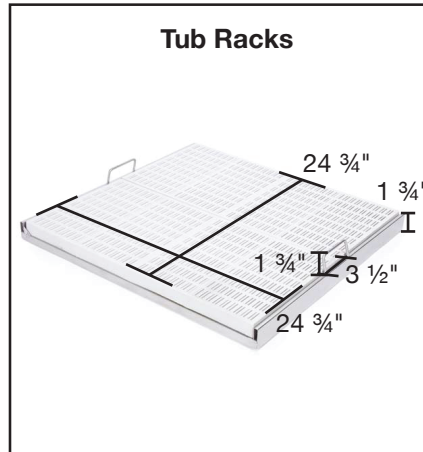
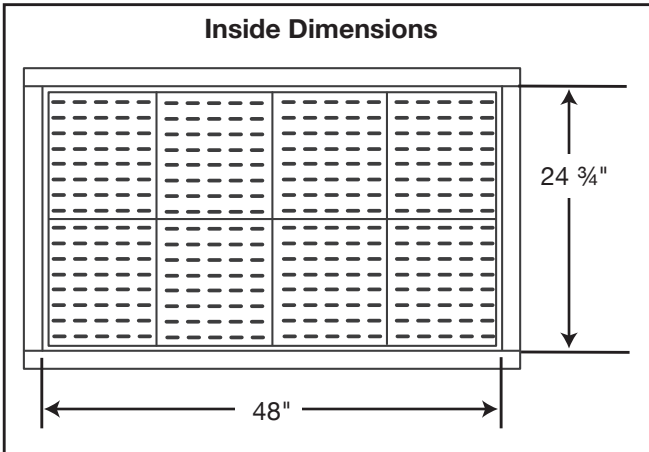
TP382 48 • Master Equipment® Superior Stainless Steel Tub Schematic

Faucet Ports:

Center to floor – 39"
From front of basin – 10½"
From back of basin – 6"



Assembly: See assembly instructions.



- **Accessories Included:**
 - Tub Ramp
 - Tub Racks (2)
 - Tub Drain
 - Leg Levelers (4)
 - Drain Hose
- **Tub Body:** 14-Gauge, 2 mm 304-Type Stainless Steel.
- **Tub Legs:** 19-Gauge, 1 mm 304-Type Stainless Steel. Levelers are black rubber. Levelers on all four legs compensate for uneven floors. (Height measurements include unextended levelers.)
- **Tub Rack:** Frame is 19-Gauge, 1 mm 304-Type Stainless Steel. Top of rack is plastic.
- **Drain:** Standard kitchen sink strainer—3¼" diameter. Tub drain, basket, cover, and slip nut is polyethylene. Gasket is black polyurethane.
- **Drain Hose:** Hose length is 6¾". Extends to 7.5', outside diameter is 1¾", and inside diameter is 1½". Hose is black polypropylene.
- **Standard Plumbing:** Standard kitchen or bathroom assemblies can be mounted on left or right of tub. 8" on center. Fits ports ¾".
- **Tub Ramp:** 19 gauge, 1 mm thick 304-Type Stainless Steel. Feet are black rubber.
- **Restraint Bar:** 9 gauge, 4 mm thick 304-Type Stainless Steel.