

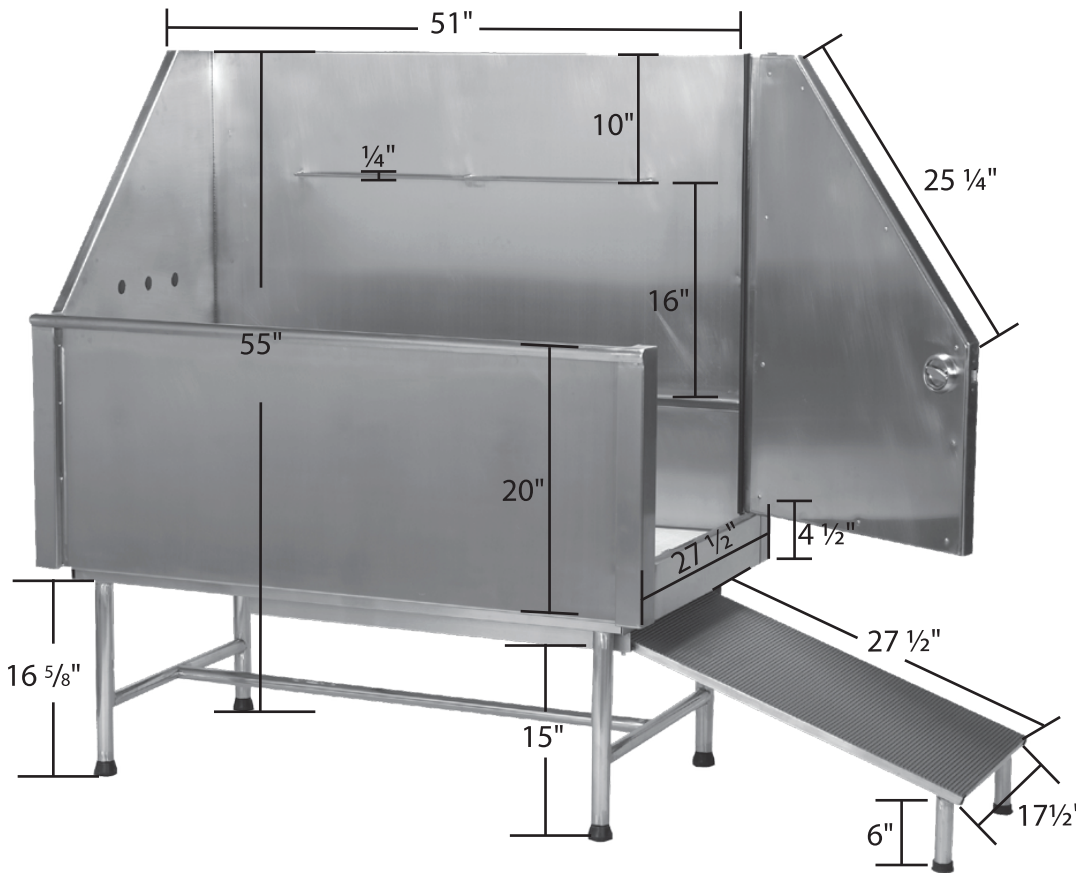


TP3820 48 11 & TP3820 48 12 Master Equipment® Superior Stainless Evolve Tub 48In



- Accessories Included:**
- Tub Ramp
 - Tub Racks (2)
 - Drain Basket and Cover
 - Leg Levelers (4)

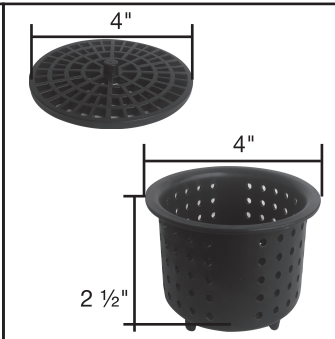
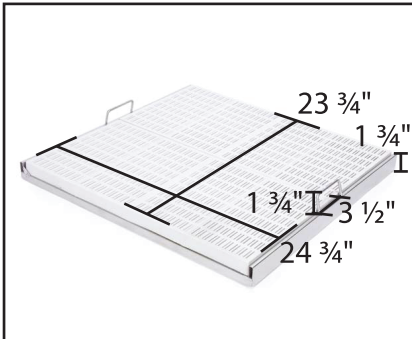
- Materials & Color:**
- **Tub Basin:** Type 304 Stainless Steel, 14 gauge, 2mm thick.
 - **Backsplash:** Type 304 Stainless Steel, 14 gauge, 2mm thick.
 - **Tub Legs:** Type 304 Stainless Steel, 19 gauge, 1mm thick. Feet are black rubber.
 - **Grooming Bar:** Type 304 Stainless Steel, 9 gauge, 4mm thick.
 - **Tub Racks:** Grates are white polyethylene. Frame is type 304 Stainless Steel, 19 gauge, 1.1 mm thick.
 - **Tub Ramp:** Type 304 Stainless Steel, 19 gauge, 1mm thick. Feet are black rubber.
 - **Tub Drain:** Standard kitchen sink strainer—3¼" diameter. Tub drain, basket, cover, and slip nut is polyethylene. Gasket is polyurethane.
 - **Drain Hose:** Hose length is 6¾", outside diameter is 1¾", and inside diameter is 1½". Hose is black polypropylene. Clamp is aluminum.



Tub Rack

Drain Basket and Cover

Drain Hose



- Drain & Plumbing:**
- **Drain:** Drain: 3¼" predrilled drain hole. Center of drain from front wall 12", center of drain from back wall 12½", center of drain from side wall 11".