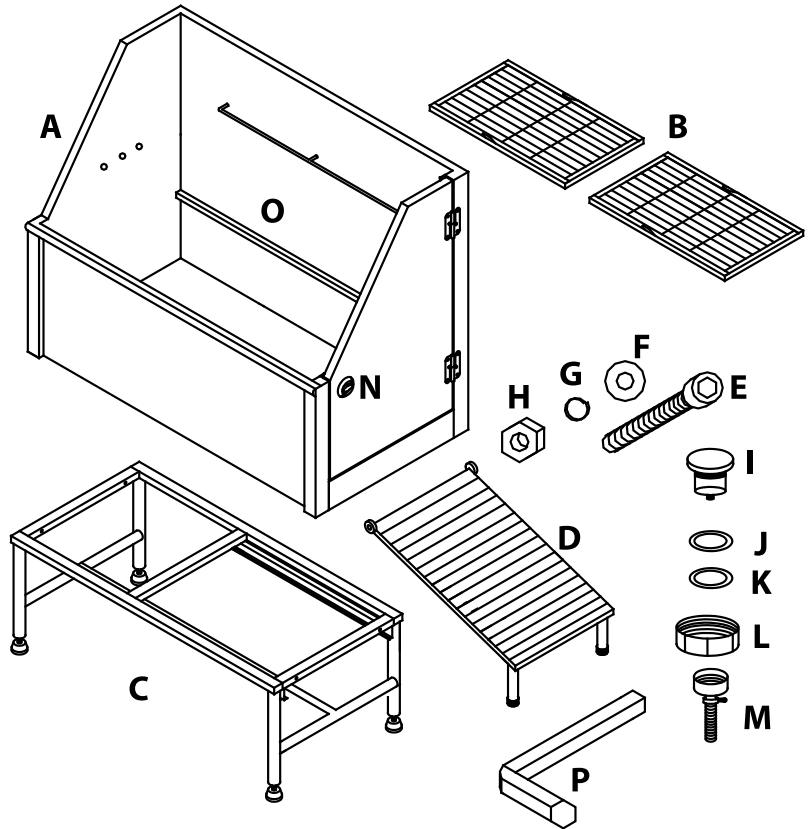


**Parts List**

- (A) Tub Basin (1)
- (B) Tub Rack (2)
- (C) Tub Base (1)
- (D) Retractable Ramp (1)
- (E) Hex Bolts (5)
- (F) Washers (9)
- (G) Spring Washers (5)
- (H) Nuts (5)
- (I) Drain (1)
- (J) Sponge Gasket (1)
- (K) Rubber Gasket (1)
- (L) Fixed Nut (1)
- (M) Plumbing Hose (1)
- (N) Side Door Lock (1)
- (O) Tub Rack Ledge (1)

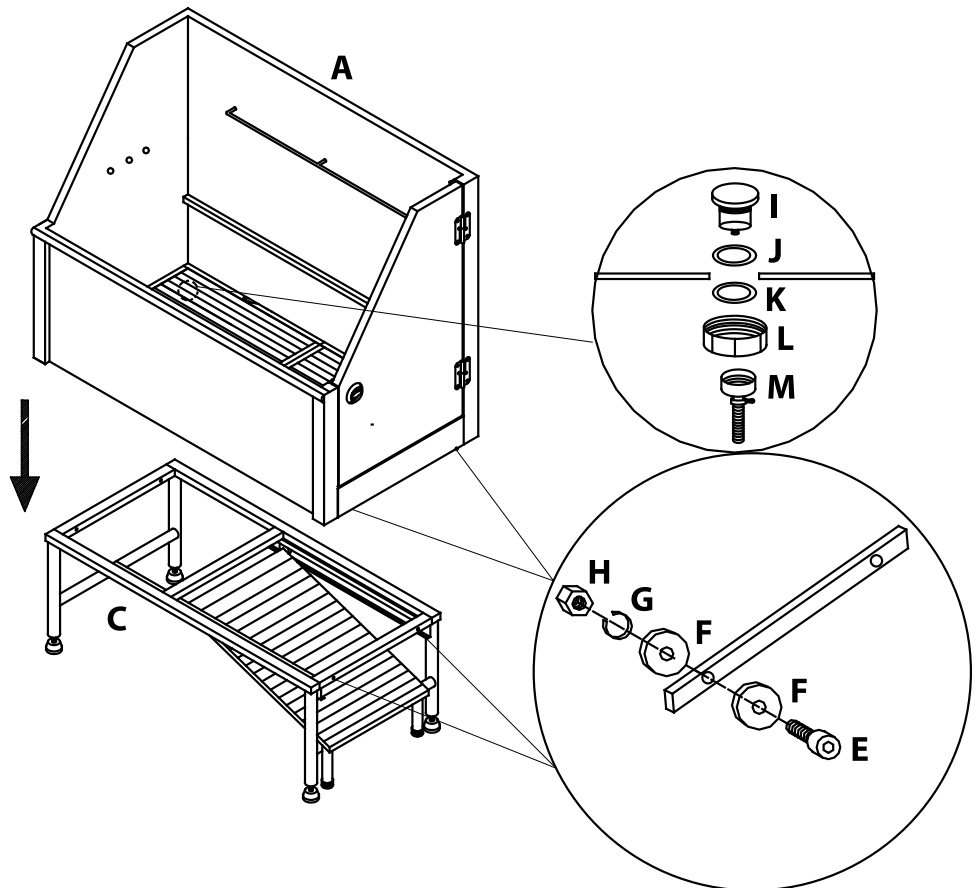
**Tools Needed:**

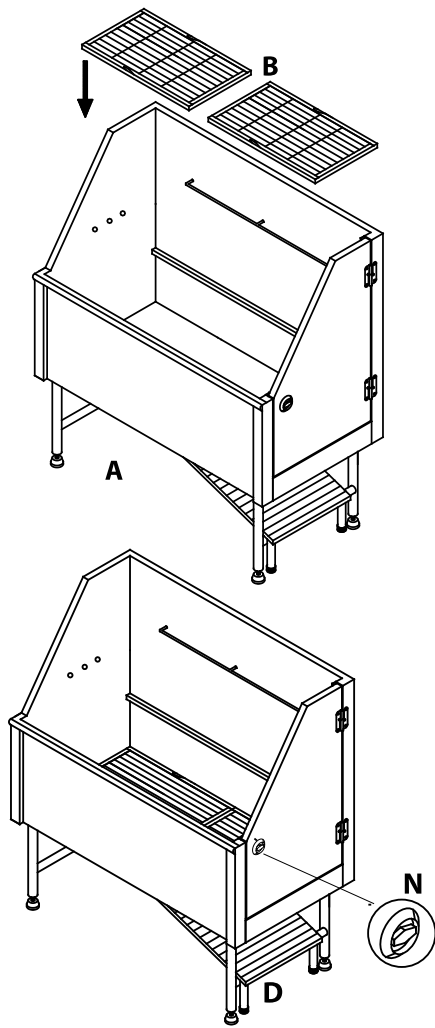
- (P) Hex Wrench (Included)
- Monkey Wrench



**Assembly: Steps 1-2**

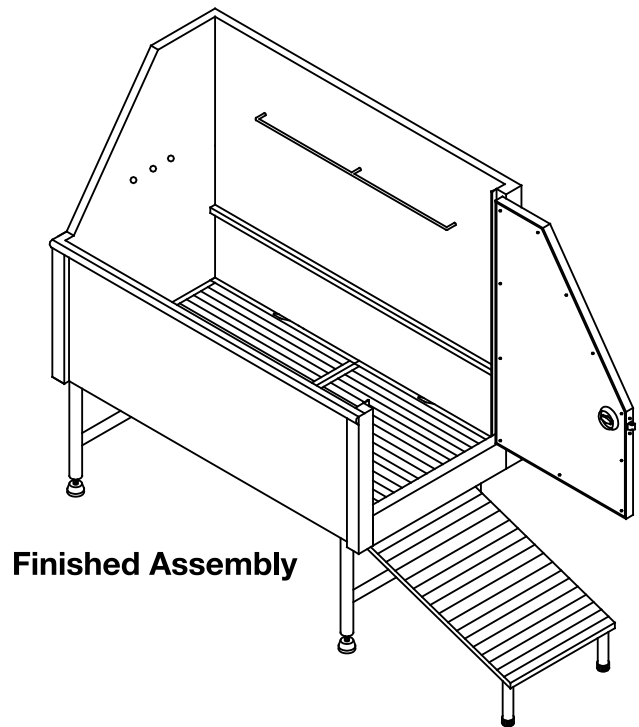
1. Place the Tub Basin (A) onto the Tub Base (C). Attach the Basin using the Hex Bolt (E), Washer (F), Spring Washer (G), and Nut (H) to every pre-drilled holes in the Tub base (C) as pictured in the illustration to the right.
2. Place the Sponge Gasket (J) around the bottom of the Drain (I), then place them into the designated hole on the bottom of the Tub Basin (A). Place the Rubber Gasket (K) under the Drain (I) then use the Fixed Nut (L) to secure the Rubber Gasket (K) into place under the drain. Connect the Plumbing Hose (M) to the Drain (I).





## Assembly: Steps 3-10

3. Place the Tub Racks (B) into the Tub Basin (A).
4. To raise the Tub Racks, (B) rest them on the Tub Rack Ledge in the center of the Tub basin (A).
5. Carefully loosen and remove the six screws from the side door of the tub, where you'll install the Side Door Lock (N). Reserve the screws.
6. The Side Door Lock (N) consists of an "eye" and a "hook" that latches into it. Fasten the "eye" to the door frame, using two of the six screws reserved from step 5. Fasten the "hook" to the edge of the door, using the remaining four screws reserved from step 5.
7. Test the Side Door Lock (N) by latching it, and unlatching it, to ensure that you installed the lock securely. Make sure that the "hook" is able to reach and lock into the "eye."
8. Adjust leveling feet on the tub Base (C) to have the drain approximately 1/8" lower than the opposite side of the tub. This allows water to drain better.
9. Adjust Retractable Ramp (D) to desired position.
10. Unlatch the Side Door Lock (N) by turning the handle counterclockwise; to securely latch the Side Door Lock (N), turn the handle clockwise until the "hook" latches into the "eye."



**Finished Assembly**

## CARE INSTRUCTIONS

Rinse thoroughly after bathing pet. Make sure tub is clean and dry after use. Clean with mild soap or a stainless steel-approved cleaner only. Do not use harsh or abrasive cleaners, bleach, or tools with metal or textured parts, as these can scratch or damage the tub.

## LIMITED WARRANTY

This Master Equipment® Superior Stainless Steel Tub is warranted against defective material or workmanship for one year from the date of purchase. Any Master Equipment® product that is determined to be defective in material or workmanship during the warranty period will be replaced without cost to the purchaser for parts or labor. Please contact Boss Pet Products Customer Service at 1-800-638-5754 regarding any defective product. Boss Pet Products will not be liable under this warranty for any defect, failure or malfunction of this product caused by normal wear, abuse, misuse, unauthorized adjustments or repairs. Boss Pet Products will not be liable for any incidental or consequential damages of any type. Any implied warranty is limited to the one-year period provided in this express warranty. Some states do not allow limitations on how long an implied warranty lasts or exclusion or limitation of incidental or consequential damages, so the above limitations or exclusions may not apply to you. Warranty is void if product has been modified in any manner, repaired by anyone other than Boss Pet Products or has been subject to unreasonable use. Warranty is valid in the United States.

Date Purchase: \_\_\_\_\_

**bpp**  
boss pet products.

Manufactured for  
© Boss Pet Products, Inc., Danvers, MA 01923  
MADE IN CHINA

TP3820 48 11 & TP3820 48 12  
Master Equipment®  
Origin II Electric Table With Outlet

REV. 6/23