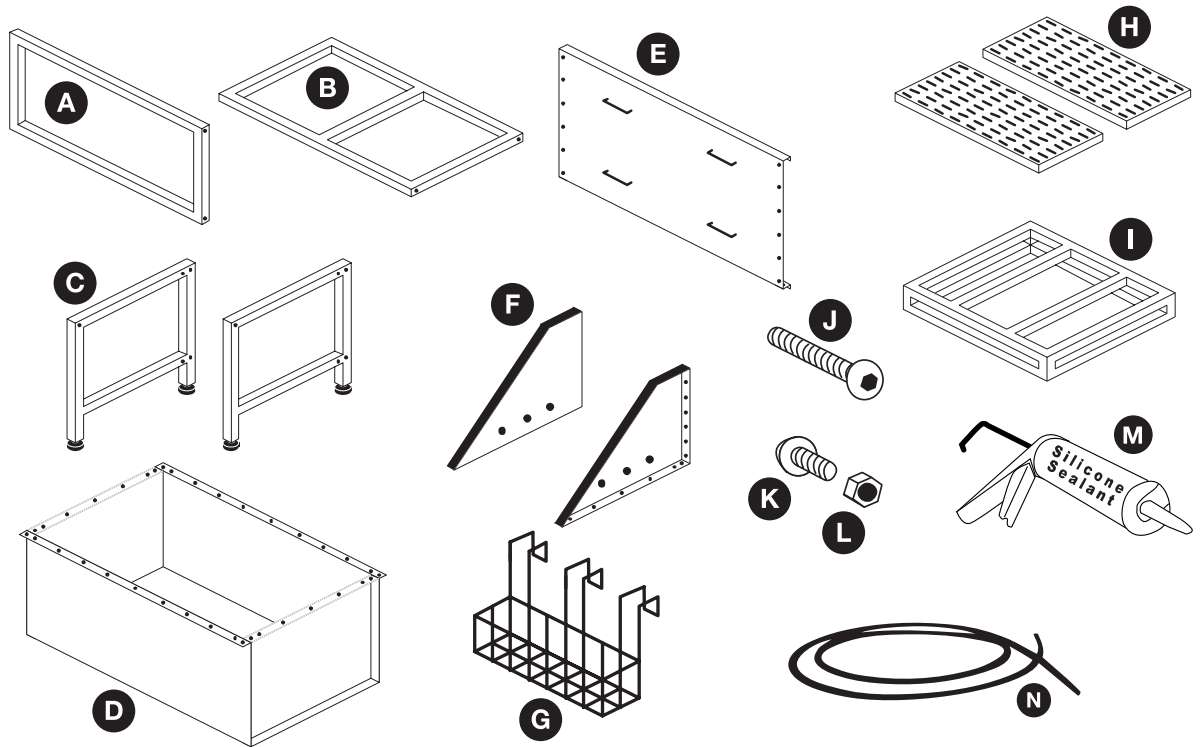


Parts List

- (A) Rear Stand (1)
- (B) Top Stand (1)
- (C) Stand Sides (2)
- (D) Tub Basin (1)
- (E) Tub Backsplash (1)
- (F) Tub Side Splashes (2)
- (G) Shampoo Rack (1)
- (H) Tub Rack Tiles (2)
- (I) Tub Rack Stand (1)
- (J) Hex Bolts (8)
- (K) Standard Bolts (35)
- (L) Nuts (35)
- (M) Silicone Glue Sealant and Gun (1)
- (N) Plastic Edge Trim
48.4"L x 0.3"W (1)



Tools Needed

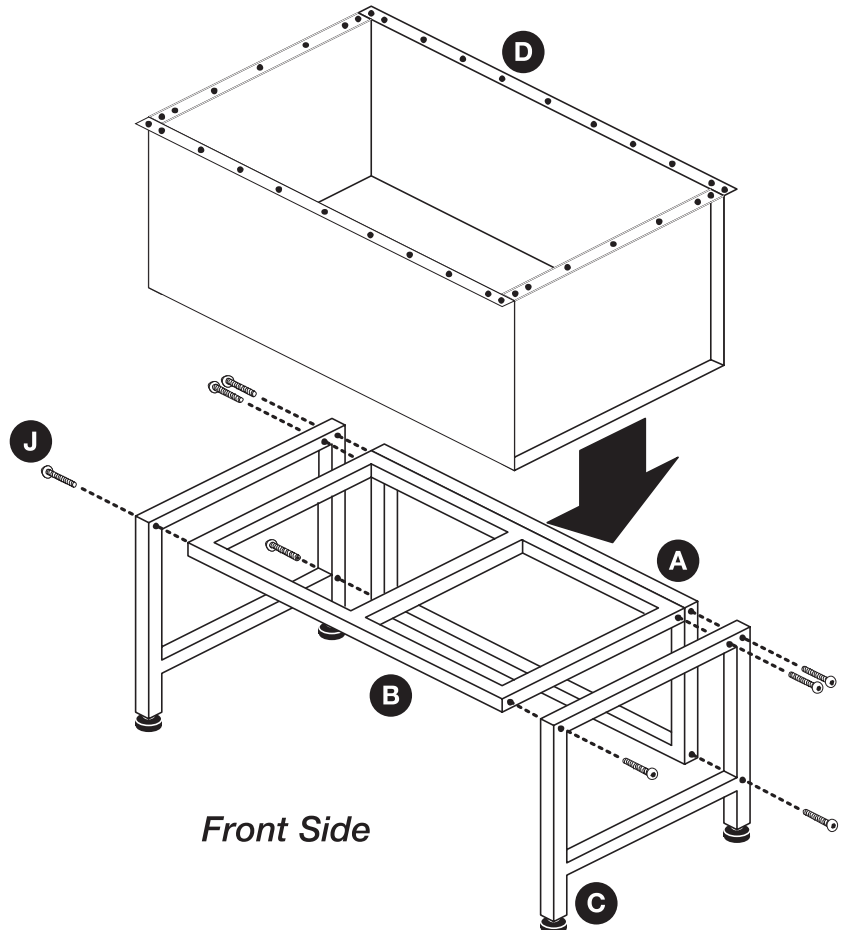
- Hex Wrench
- Phillips Head Screwdriver
- Pliers

SAFETY FIRST

Please wear your safety gloves while assembling this tub.

Assembly Instructions (steps 1-3):

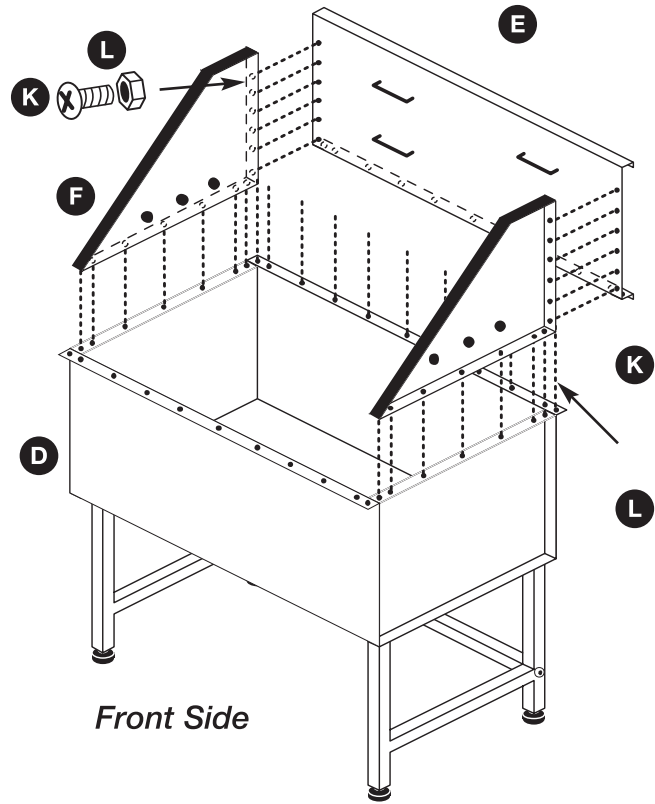
1. Bolt one side stand (C) to rear stand (A) with two hex bolts (J); repeat for other side of stand.
2. Bolt the top of the stand (B) to assembled sides with two hex bolts (J); repeat for the other side.
3. Lower the tub basin (D) onto the assembled stand.



Note: The tub can be positioned so the drain hole is on the left or right.

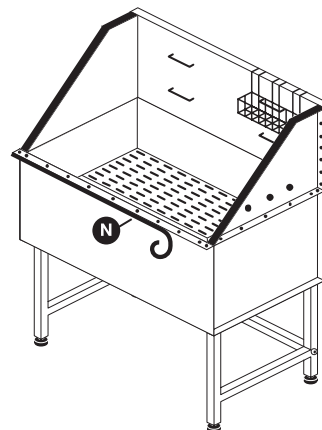
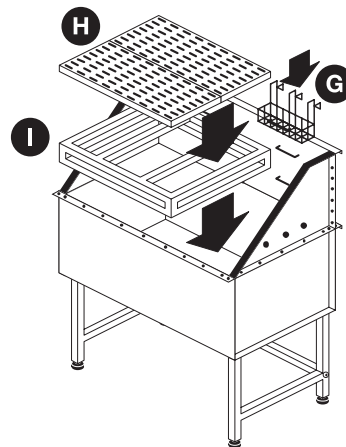
Assembly Continued (steps 4–9):

4. Choose what side of the basin you want the backsplash (E) to be on.
5. Lay a thin bead of silicone sealant (M) along the bottom edge of one side splash (F) and side of tub basin (D). Bolt the bottom of one side splash (F) to the tub basin (D). Use a standard bolt (K) and nut (L) in every pre-drilled hole.
6. Lay a thin bead of silicone sealant (M) along the front sides and the bottom edge of the backsplash (E). Bolt the backsplash (E) to the attached side splash (F) and to the tub basin (D). attached side splash (F) and to the tub basin (D). Use a standard bolt (K) and nut (L) in every predrilled hole.
7. Lay a thin bead of silicone sealant (M) along the bottom edge of the other side splash (F) and side of tub basin (D). Bolt the side splash (F) to the tub basin (D) with remaining standard bolts (K) and nuts (L), using one in every hole.
8. The tub basin comes pre-sealed with silicone. For extra leak protection, add another layer of silicone along all seams and corners of the basin, sides, and back splashes prior to use.
9. Remove excess silicone from all seams, making sure the silicone has completely filled the gaps. Allow silicone to dry completely before use.



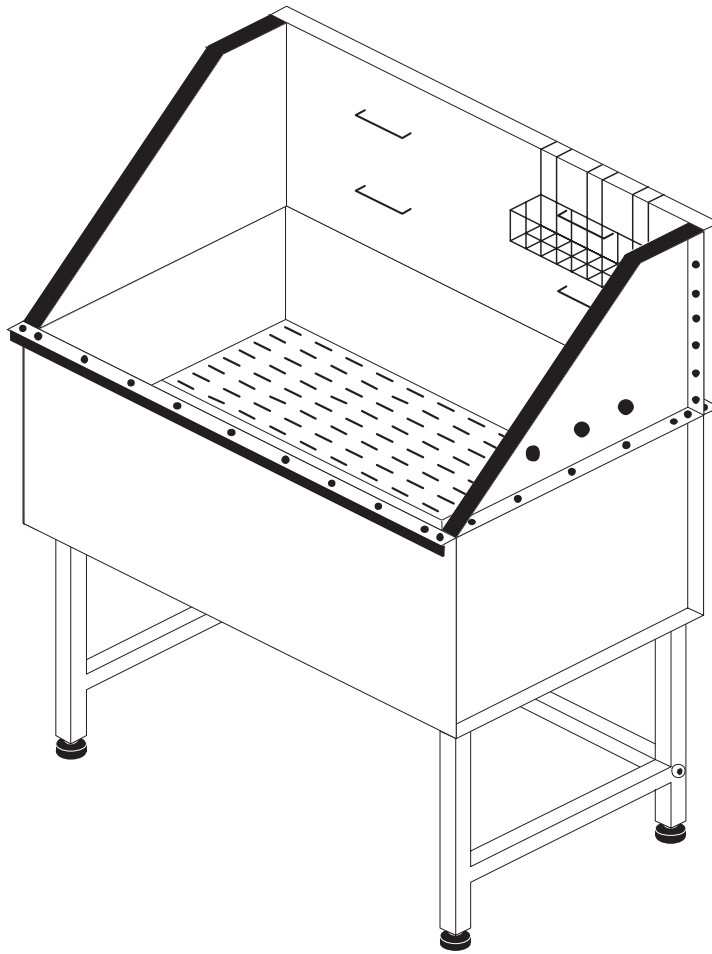
Assembly Continued (steps 10–14):

10. Put the tub rack stand (I) into the tub basin (D) and add tub rack tiles (H) to top of stand.
11. Hang the shampoo rack (G) onto the back of the backsplash using hooks on back of rack.
12. Adjust leveling feet on the stand to have the drain approximately $\frac{1}{8}$ " lower than the opposite side of the tub. This allows water to drain better.
13. Install plumbing as needed. Faucet holes are 4" and 8" on center, and the tub takes a $\frac{3}{4}$ " standard sink strainer.
14. Install the plastic edge trim 48.4"L x 0.3"W (N) onto the front edge of tub basin.



Every stainless steel tub before leaving the factory is carefully ground by deburring tools to remove the burrs on the stainless steel edge, but for safety reasons, please be extra careful when you get close to any edge. Please keep your pet away from the stainless steel edge.

Finished Assembly



CARE INSTRUCTIONS

Rinse thoroughly after bathing pet. Make sure tub is clean and dry after use. Clean with mild soap or a stainless-steel approved cleaner only. Do not use harsh or abrasive cleaners, bleach, or tools with metal or textured parts. These can scratch or damage the tub.

LIMITED WARRANTY

This Master Equipment® Everyday Pro Deluxe Tub is warranted against defective material or workmanship for one year from the date of purchase. Any Master Equipment® product that is determined to be defective in material or workmanship during the warranty period will be replaced without cost to the purchaser for parts or labor. Please contact Boss Pet Products Customer Service at 1-800-638-5754 regarding any defective product. Boss Pet Products will not be liable under this warranty for any defect, failure or malfunction of this product caused by normal wear, abuse, misuse, unauthorized adjustments or repairs. Boss Pet Products will not be liable for any incidental or consequential damages of any type. Any implied warranty is limited to the one-year period provided in this express warranty. Some states do not allow limitations on how long an implied warranty lasts or exclusion or limitation of incidental or consequential damages, so the above limitations or exclusions may not apply to you. Warranty is void if product has been modified in any manner, repaired by anyone other than Boss Pet Products or has been subject to unreasonable use. Warranty is valid in the United States.

Date Purchase: _____



Manufactured for
© Boss Pet Products, Inc., Danvers, MA 01923
MADE IN TAIWAN

TP359 48 87 Master Equipment
Everyday Pro Deluxe Tub