



TP8640 42 • Master Equipment Z-Lift II Hydraulic Table 42" Schematic

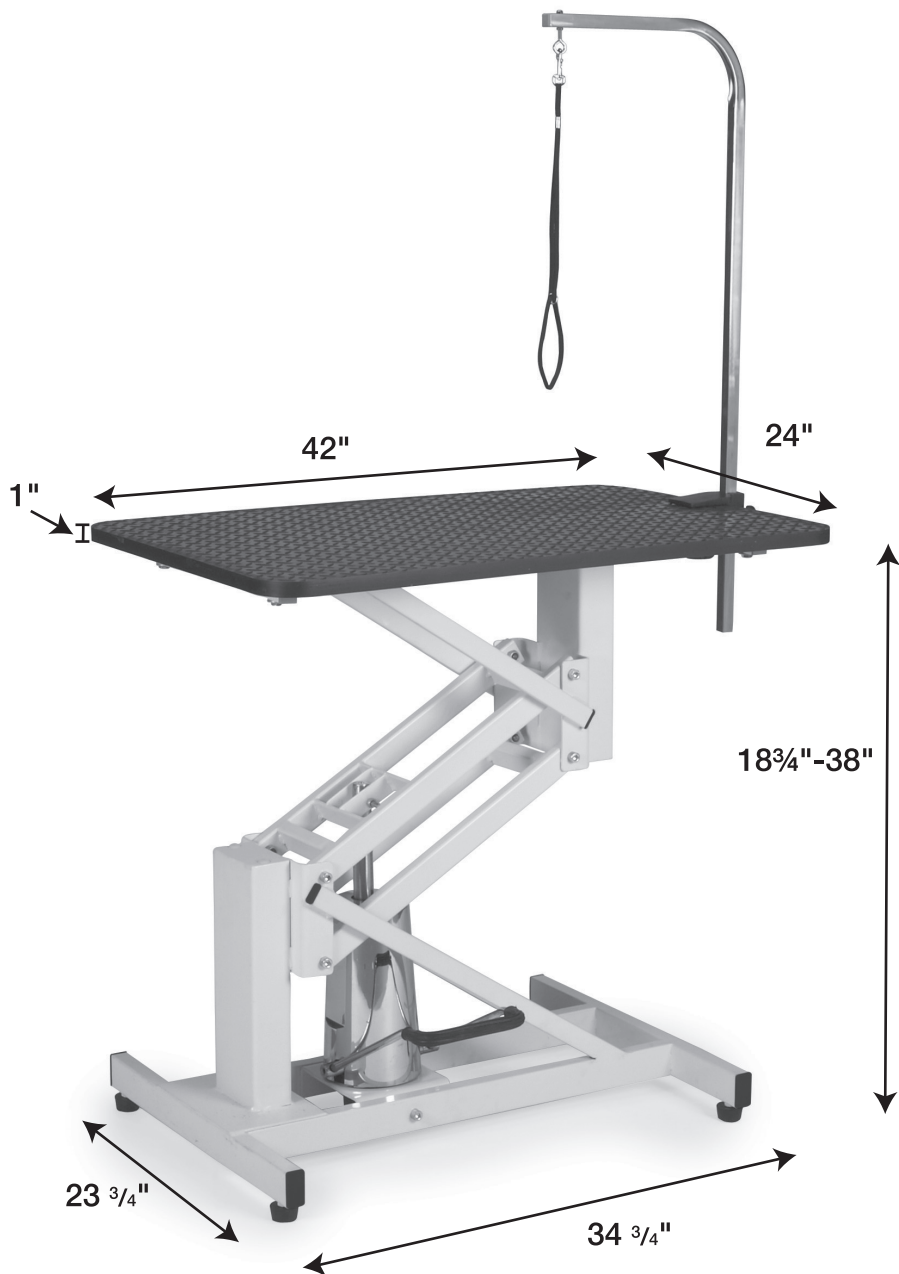
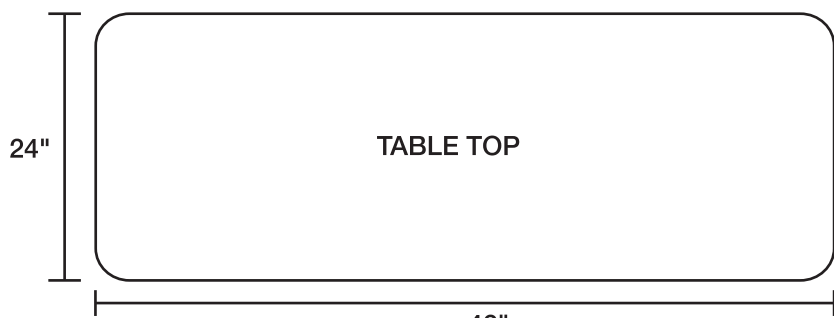


Table Top Dimensions



- **Table Top:** MDF with rubber matting.
- **Assembly:** See assembly instructions.
- **Levelers:** Levelers on all four legs compensate for uneven floors. (Height measurements include unextended levelers.)