



A45-4C-2575

Complete Faucet Package



Package Includes the Following:

- A40-555-4C - Chrome Plated Brass Faucet
- A43-972S – Hose & Sprayer Set with Adapters
- Tool Holder with Hardware for Wall/Tub Mount
- Standard Drain Assembly with Strainer Basket



T&S BRASS AND BRONZE WORKS, INC.

2 Saddleback Cove / P.O. Box 1088
Travelers Rest, SC 29690

Model No.

PetLift A40-555-4C

Item No.

Travelers Rest, SC: 800-476-4103 • Simi Valley, CA: 800-423-0150 • Fax: 864-834-3518 • www.tsbrass.com

PetLift Faucet Models:

A40-555-4C

A45-4C-2575

A45-4C-625



ADA Compliant

This Space for Architect/Engineer Approval

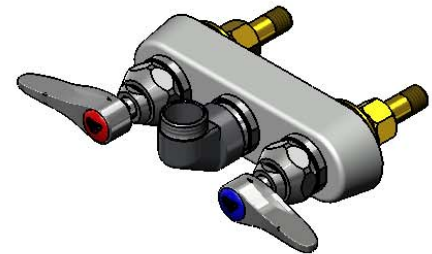
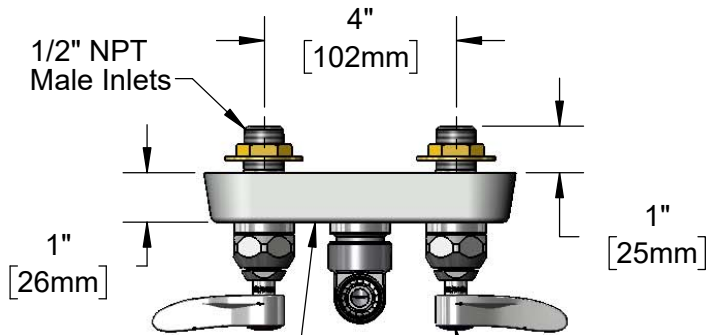
Job Name _____ Date _____

Model Specified _____ Quantity _____

Customer/Wholesaler _____

Contractor _____

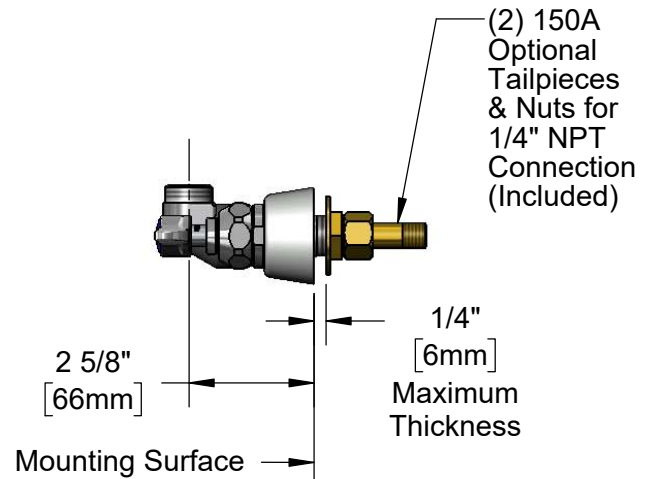
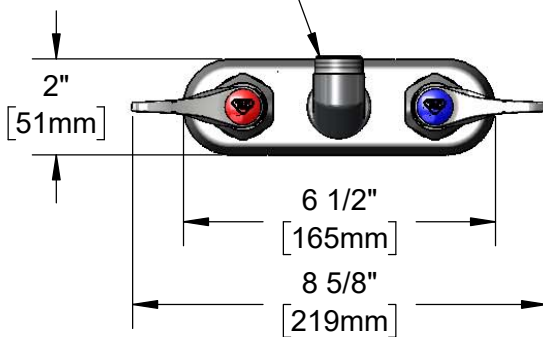
Architect/Engineer _____



Polished Chrome Plated Escutcheon

Quarter-Turn Eterna Cartridges w/ Spring Checks & Lever Handles w/ Color Coded Indexes

Swivel Outlet Accepts Standard T&S Swing Nozzles. Converts to Rigid w/ 014200-45 Lock Washer (Included)



Rough-In Requirement:
(2) \varnothing 1" [25mm] Mounting Holes

Product Specifications:
4" Wall Mount Workboard Faucet Less Nozzle, Quarter-Turn Eterna Cartridges w/ Spring Checks, Lever Handles & 1/2" NPT Male Inlets

Product Compliance:
ASME A112.18.1 / CSA B125.1
NSF 61 - Section 9
NSF 372 (Low Lead Content)
ANSI A117.1 (ADA)



T&S BRASS AND BRONZE WORKS, INC.

2 Saddleback Cove / P.O. Box 1088
Travelers Rest, SC 29690

Model No.

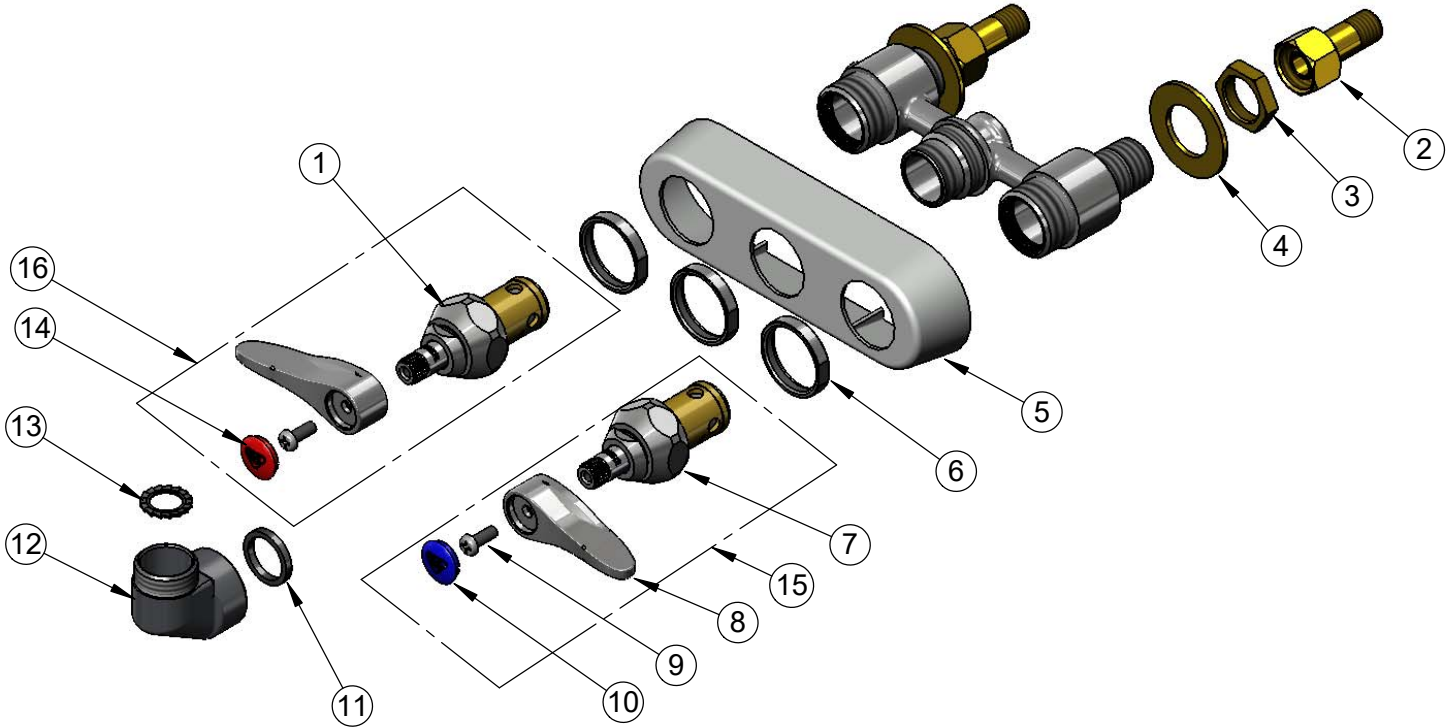
PetLift A40-555-4C

Item No.

Travelers Rest, SC: 800-476-4103 • Simi Valley, CA: 800-423-0150 • Fax: 864-834-3518 • www.tsbrass.com

PetLift Facuet Models:
A40-555-4C
A45-4C-2575
A45-4C-625

ITEM NO.	SALES NO.	DESCRIPTION
1	012442-40NS	Quarter-Turn Eterna Cartridge w/ Spring Check, LTC
2	150A	1/4" NPT Tailpiece & Nut
3	002954-45	Shank Lock Nut
4	000999-45	Brass Lock Washer
5	019374-40	B-1110 Eterna Workboard Escutcheon
6	019376-40	Escutcheon Lock Nut
7	012443-40NS	Quarter-Turn Eterna Cartridge w/ Spring Check, RTC
8	001638-45NS	Lever Handle (New Style)
9	000925-45	Lab Handle Screw
10	018506-19NS	Blue Button Index, Press-in
11	001040-45	Washer, 3/4 ID x 15/16 OD x 1/8 thick
12	000082-40	B-1100 Knob
13	014200-45	Star Washer, Anti-Rotation
14	001193-19NS	Red Button Index, Press-in
15	019639-40	Quarter-Turn Eterna Cartridge RTC w/ Spring Check, Handle, Blue Index & Screw
16	019638-40	Quarter-Turn Eterna Cartridge LTC w/ Spring Check, Handle, Red Index & Screw



Product Specifications:

4" Wall Mount Workboard Faucet Less Nozzle, Quarter-Turn Eterna Cartridges w/ Spring Checks, Lever Handles & 1/2" NPT Male Inlets

Product Compliance:

ASME A112.18.1 / CSA B125.1
NSF 61 - Section 9
NSF 372 (Low Lead Content)
ANSI A117.1 (ADA)