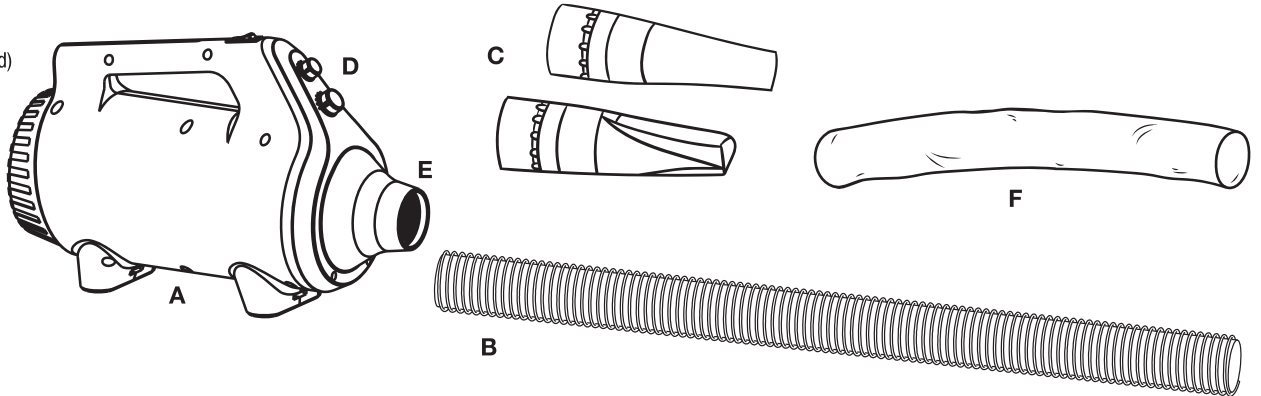


Parts List

- (A) Dryer
- (B) Flexible Hose
- (C) Nozzles (1 Flat and 1 Round)
- (D) Controls
- (E) Front Cap Connector
- (F) Neoprene Sleeve Heat Protector



Operation Instructions

- 1). Screw the Flexible Hose (B) into the Front Cap Connector (F). Choose and install a suitable Nozzle (D) according to your need.
- 2). Plug into a 20amp GFCI outlet and switch power on.
- 3). Rotate the wind speed knob to adjust the wind speed. Rotate the heating knob to adjust the wind temperature.
- 4). Turn the wind speed knob back to minimum, turn the heating knob back to minimum and then turn off the power switch after usage.
- 5). Unplug the dryer after use.
- 6). When you restart the dryer when the machine is just off and the motor is still rotating, some shaking or pause sound may be heard, which is caused by sensitive response and fast revolutions of the brushless fan. It is normal. Therefore, it is recommended that users should switch on and off slowly to ensure the stable operation of the motor.
- 7). If the motor does not work, please turn off the power switch, turn on and rotate the wind speed knob until the wind speed indicator light goes off. Turn on the power switch, see the heating indicators light flash for one cycle, and turn on the motor after self inspection.
- 8). The heating switch can only be turned on when the motor is turned on and one wind speed indicator lights up.

Please use with 20 amp GFCI outlet

CARE INSTRUCTIONS

1. Please clean the sponge filter by washing or air blowing, be sure to reinstall the filter again when it's dry.
2. Keep the surface clean and dry, and use a dry and soft cloth to clean the surface.
3. Wet cloth with neutral detergent and wipe to remove stubborn stains and dirt.
4. Use only mild neutral detergent.

SAFETY WARNING

1. Pet dryer needs a single outlet which meets the requirements and has ground wire for itself. Please connect pet dryer with a correct outlet and do not share with other appliances.
2. Before switch on or turn off the power every time, please adjust the wind and temperature to the lowest, which can extend the lifetime of the machine.
3. Do not insert pins or any metal things into the clearance of the machine to avoid an electric shock and short circuit.
4. Do not use a cloth or bag to stop the air flow and foam filter or it will do damage the machine.
5. If the machine has been used for some time and a malfunction occurs, you must ask the professional person to repair it. Do not disassemble by yourself.
6. If the power cord is damaged, discontinue use to avoid a hazzard. Have it repaired by a professional before continuing use.
7. Please keep children away when you operate the machine.
8. Do not hit the housing with fierce shock or drop the machine from high, which will damage the frame and motor.
9. Cardiopaths and people with pacemakers should not to use this machine.
10. Please hold the nozzle and hose firmly before turning the machine on, or the hose may wiggle and cause injury.
11. Must plug hose into the front cap connector before turning the machine on.
12. It's strictly forbidden to touch the components in the front cap connector with hand or any other objects in any situation.
13. The appliance is not intended for use by persons (including children) with reduced physical, sensory or mental capabilities, or lack of experience and knowledge, unless they have been given supervision or instruction concerning use of the appliance by a person responsible for their safety.
14. Children should be supervised to ensure that they do not play with the appliance.
15. To avoid electric shock, the power distribution box should be equipped with a leakage protector.
16. Do not use the product near water or in a wet or damp place. Keep away from the wet places such as the bathtub, the sink, and anything else related with water.

CORRECT DISPOSAL OF THIS PRODUCT



This marking indicates that this product should not be disposed with other household wastes throughout the EU. To prevent possible harm to the environment or human health from uncontrolled waste disposal, recycle it responsibly to promote the sustainable reuse of material resources. To return your used device, please use the return and collection systems or contact the retailer where the product was purchased. They can take this product for environmental safe recycling.

LIMITED WARRANTY

This Master Equipment® PowerDri™ System Onyx Dryer is warranted against defective material or workmanship for one year from the date of purchase. Any Master Equipment® product that is determined to be defective in material or workmanship during the warranty period will be replaced without cost to the purchaser for parts or labor. Please contact Boss Pet Products Customer Service at 1-800-638-5754 regarding any defective product. Boss Pet Products will not be liable under this warranty for any defect, failure or malfunction of this product caused by normal wear, abuse, misuse, unauthorized adjustments or repairs. Boss Pet Products will not be liable for any incidental or consequential damages of any type. Any implied warranty is limited to the one-year period provided in this express warranty. Some states do not allow limitations on how long an implied warranty lasts or exclusion or limitation of incidental or consequential damages, so the above limitations or exclusions may not apply to you. Warranty is void if product has been modified in any manner, repaired by anyone other than Boss Pet Products or has been subject to unreasonable use. Warranty is valid in the United States.

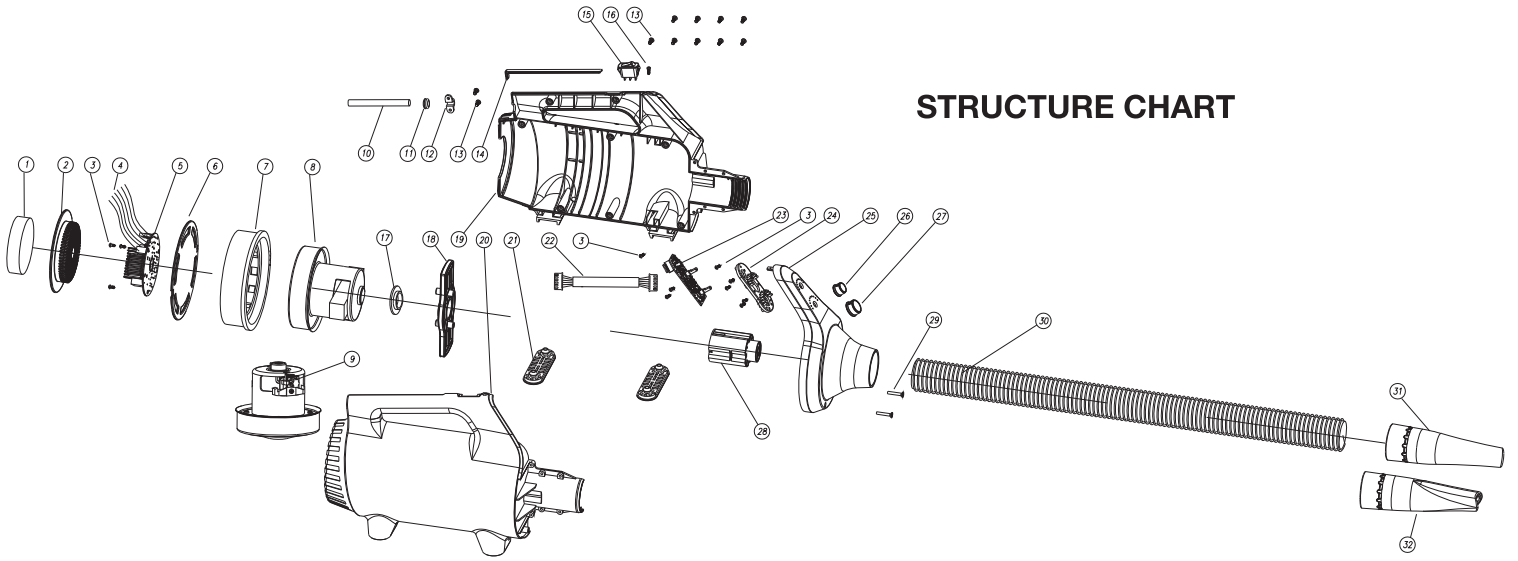
Date Purchase: _____



Manufactured for

© Boss Pet Products, Inc., Danvers, MA 01923
MADE IN CHINA

TP9414 17 Master Equipment®
ProDri™ System Onyx Dryer



STRUCTURE CHART

Serial No.	Part Name	Quantity
1	Foam Filter (TP9414 series)	1
2	Plastic Air Intake Filter	1
3	PA3×16 Self-tapping Screw	11
4	Blue Silicon Cable 1.5mm²×290mm	1
	Brown Silicon Cable 1.5mm²×290mm	1
	Blue Silicon Cable 0.75mm²×400mm	1
	Brown Silicon Cable 0.75mm²×350mm	1
	Blue Silicon Cable 1.5mm²×460mm	1
	Brown Silicon Cable 1.5mm²×260mm	1
5	PCB-G (TP9414)	1
	PCB-H (TP9414)	1
6	Rear Separator Panel	1
7	Vibration Absorber Ring for T type Motor	1
	Vibration Absorber Ring for GT type Motor	1
8	TP9414 Brushed Motor	1
	TP9414 Brushed Motor	1
	TP9414 Brushless Motor	1
9	Carbon Brush for T type Motor	1
	Carbon Brush for GT type Motor	1
10	Power Cable for TP9414 series	1
11	Power Cable Protective Ring	1
12	Cable Clamp	1
13	M4×12 Self-tapping Screw	17
14	Decorative Strip-RED	1
	Decorative Strip-PPL	1
	Decorative Strip-BLK	1
	Decorative Strip-WHT	1
	Decorative Strip-BLU	1
15	Power Switch (TP9414 series)	1
16	M3×10 Self-tapping Screw	1
17	Rubber Washer	1
18	Single Motor Fixture Bracket (TP9414 series)	1
19	TP9414 Left Housing-RED	1
	TP9414 Left Housing-PPL	1
	TP9414 Left Housing-BLK	1
	TP9414 Left Housing-WHT	1
	TP9414 Left Housing-BLU	1
	TP9414 Right Housing-RED	1
	TP9414 Right Housing-PPL	1
	TP9414 Right Housing-BLK	1
20	TP9414 Right Housing-WHT	1
	TP9414 Right Housing-BLU	1
	Rubber Foot	2
	Control Signal Cable	1
23	Control Circuit Board	1
24	Light Pipe Assembly	1
25	TP9414 Front Cap-RED	1
	TP9414 Front Cap-PPL	1
	TP9414 Front Cap-BLK	1
	TP9414 Front Cap-WHT	1
	TP9414 Front Cap-BLU	1
26	Heating Knob	1
27	Wind Speed Knob	1
28	Heating Element Assembly	1
29	M4×25 Flat-head Cross Screw	2
30	D52 Flexible Hose-250cm-RED	1
31	Inclined Round Nozzle-RED	1
32	Concave Narrow Nozzle-RED	1
		1

SPECIFICATIONS

Product Model	TP9414 17
Rated Voltage / Frequency	110V~120V
Rated Current	18.2
Maximum Power	1800W
Motor	Brushless
Heating Power	400W
Noise	80 decibels
Net Weight	10.4 lbs
Gross Weight	12 lbs
Product Dimension	16.3"x6.5"x10.6"
Packing Dimension	18.3"x12.6"x9.6"

CIRCUIT DIAGRAM

