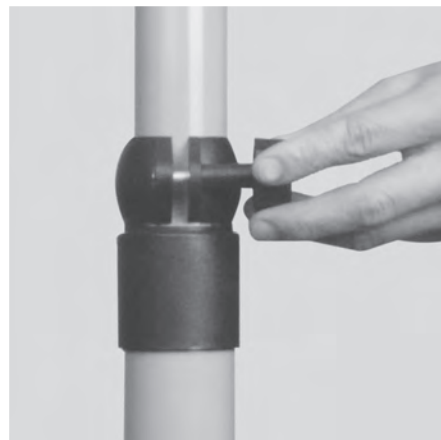
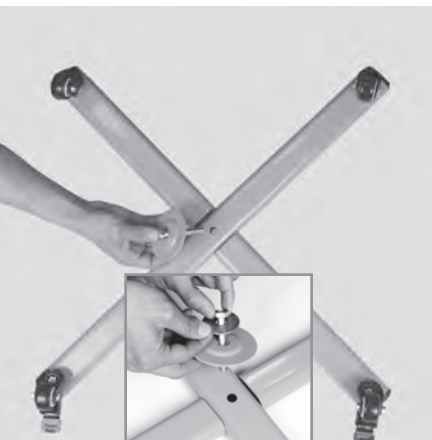
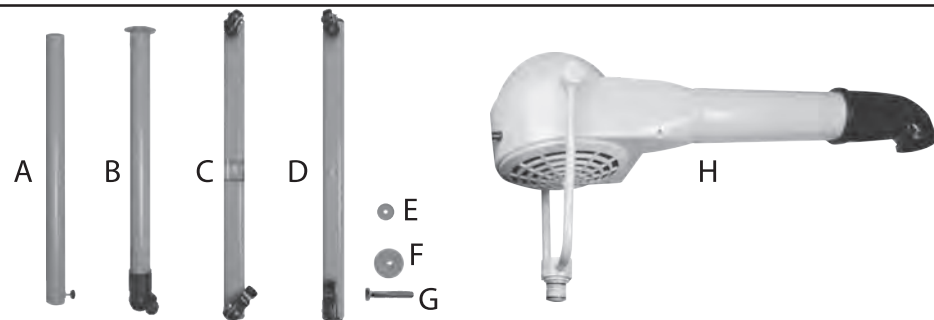




TP2401 • Master Equipment® SuperDry Stand Dryer Assembly Instructions

Parts List:

- A. Top Pole (1)
- B. Bottom Pole (1)
- C. Base With Wheels/Brakes (1)
- D. Base With Wheels/Brakes (1)
- E. Small Round Washer (1)
- F. Large Round Washer (1)
- G. Twist Bolt (1)
- H. Dryer Body (1)



1. Connect the base of the dryer stand by attaching the two bases with wheels and brakes together in an "X" shape. Attach the bottom pole (B) to the "X" base using the twist bolt (G), and washers (E & F). Tighten as appropriate.

2. Slide the top pole (A) into the bottom pole (B). Secure using the tightening knob on the bottom pole (B).



3. Slide the bottom of the dryer body (H) into the top pole (A). Secure the dryer body and top pole together by tightening the knob on the top pole.

LIMITED WARRANTY

This Master Equipment® SuperDry Stand Dryers is warranted against defective material or workmanship for one year from the date of purchase. Any Master Equipment® product that is determined to be defective in material or workmanship during the warranty period will be replaced without cost to the purchaser for parts or labor. Please contact Boss Pet Products Customer Service at 1-800-638-5754 regarding any defective product. Boss Pet Products will not be liable under this warranty for any defect, failure or malfunction of this product caused by normal wear, abuse, misuse, unauthorized adjustments or repairs. Boss Pet Products will not be liable for any incidental or consequential damages of any type. Any implied warranty is limited to the one-year period provided in this express warranty. Some states do not allow limitations on how long an implied warranty lasts or exclusion or limitation of incidental or consequential damages, so the above limitations or exclusions may not apply to you. Warranty is void if product has been modified in any manner, repaired by anyone other than Boss Pet Products or has been subject to unreasonable use. Warranty is valid in the United States.

Date Purchase: _____



Manufactured for
© Boss Pet Products, Inc., Danvers, MA 01923
MADE IN CHINA

TP2401 Master Equipment
SuperDry Stand Dryers

REV. 3/24

OPERATING INSTRUCTIONS:

1. Use this dryer with 110/120 volt electrical systems. Do not exceed the capacity of the circuit the dryer is being used on.
2. Turn the dryer on by activating the on/off power switch.
3. Select the heat setting: I (low), II (high), or neutral (warm air)
4. Turn the air speed control knob to set the desired airflow.
5. When operating the dryer, take care not to blow air directly into pet's eyes, ears, or other sensitive areas or body orifices.
6. Do not leave pet unattended while using this or any dryer.
7. Before shutting dryer off, turn the air speed control knob to the lowest setting. This will extend the life of the machine by reducing stress on the motor during startup.
8. Do not insert any pins or metal objects into the workings of the machine. This can result in electric shock or cause the machine to short-circuit.
9. Do not block or obstruct the filter or diffuser. Clean the air intake regularly and keep it unblocked. Do not allow water to be drawn into the air intake.
10. Take care to protect the dryer housing from shock or sudden impact.

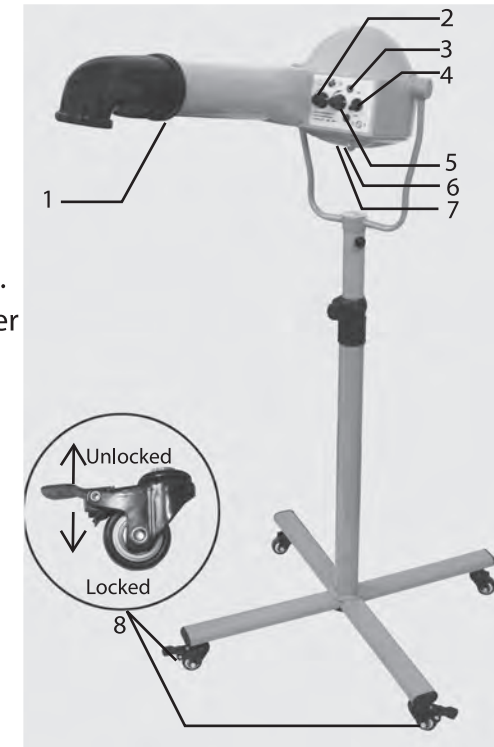
CARE INSTRUCTIONS:

1. Please clean the sponge filters on a regular basis by washing them or blowing air through them. Be sure to let the filters dry before reinstalling.
2. Keep the surface of the dryer clean and dry. Use a dry and soft cloth to clean the surface.
3. For stubborn stains and dirt, moisten the cloth with a mild detergent. Do not use harsh chemicals or cleaning agents.

SAFETY INSTRUCTIONS:

To reduce the risk of fire, electric shock or injury to persons when using your appliance, please follow the basic safety precautions.

1. READ all instructions before using this appliance.
2. Use this dryer only for its intended purpose for drying dogs and cats.
3. Never unplug the dryer by pulling on the power cord. Always grasp the plug firmly and pull straight from the outlet.
4. To protect against electrical hazards, do not immerse the dryer in water or any liquid or allow water to be drawn into the air intake.
5. Do not operate the dryer in the presence of explosive fumes.
6. Closely supervise children when dryer is in use.
7. Unplug the dryer before cleaning, before making any repairs, or when dryer is not in use.
8. This dryer should be connected to a grounder power outlet with the proper electrical supply. See operating instructions.
9. Repair or replace any loose or worn parts immediately.
10. Do not operate the dryer when parts are missing or broken.
11. Do not use the dryer outdoors.
12. Do not operate the dryer if it is damaged or malfunctioning any way. Contact PetEdge Customer Service at 800-638-5754.
13. Avoid contacting hot surfaces.
14. Do not wrap cord around motor enclosure. Continuous heat from the motor may damage cord insulation and cause electric shock.



1. Wind Out-Let
2. Heating Controlling Knob
3. Pilot Light
4. On/Off Power Switch
5. Air Speed Controlling Knob
6. Air Intake
7. Air Intake Filter (TP2114 03)
8. Brakes