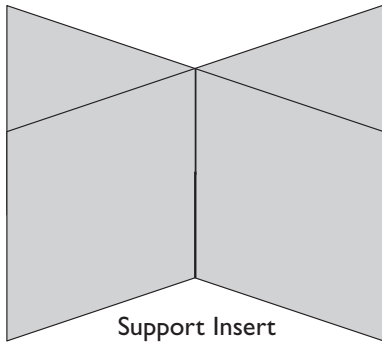


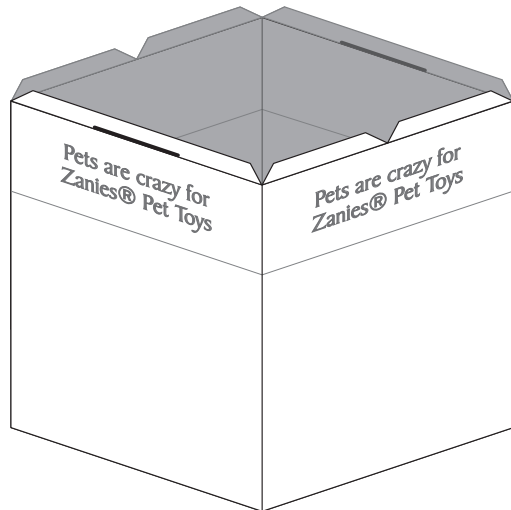


# Toy Bin

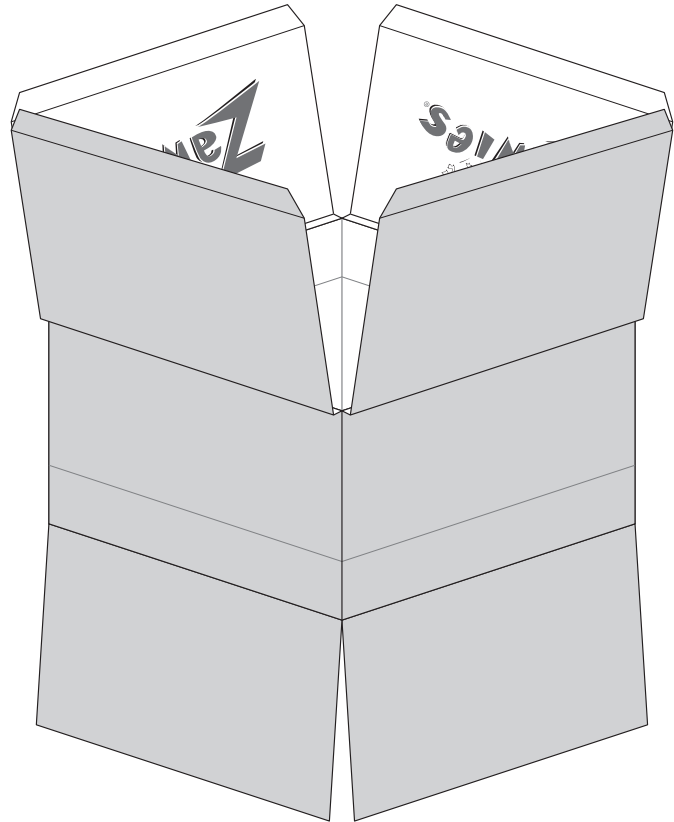
## Parts List:



Support Insert



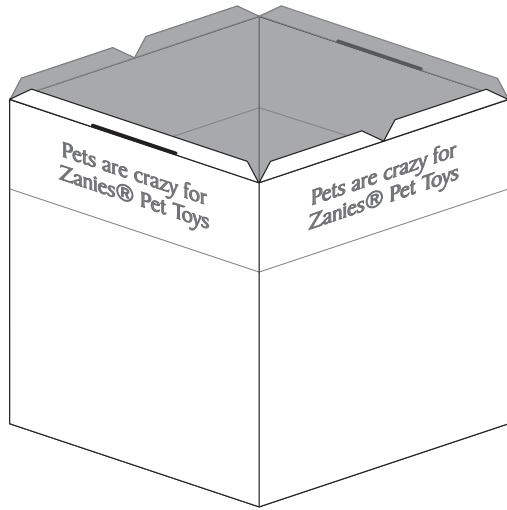
Base



Bin

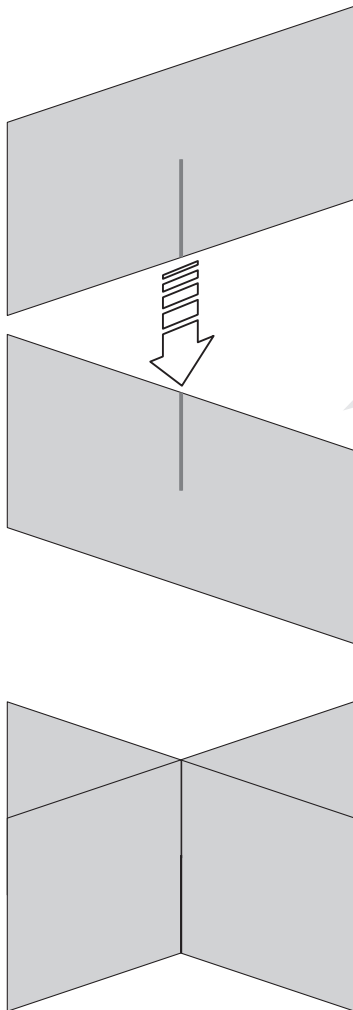
Base (smaller white section)	(1)
Support Insert	(1)
Bin (larger white section with Zanies logo)	(1)

# Assembly Instructions: Toy Bin



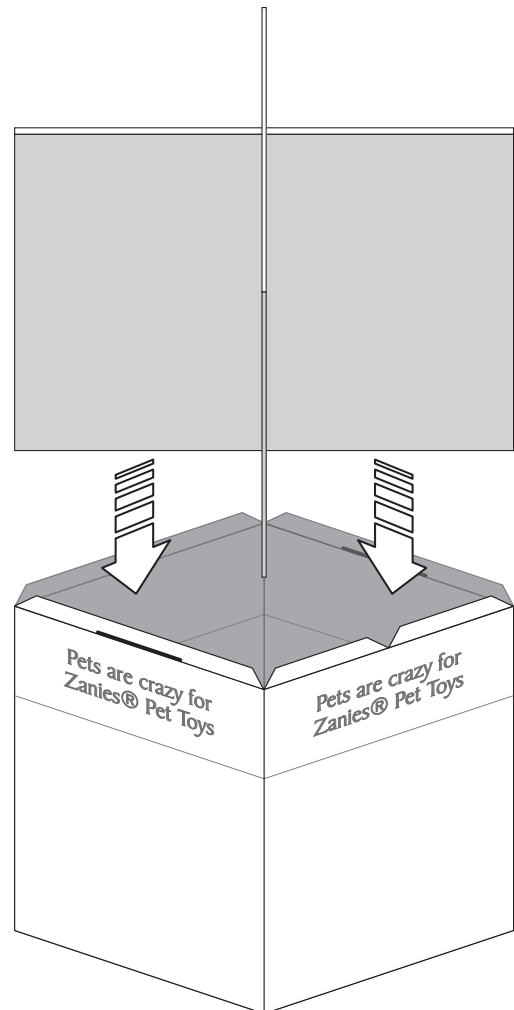
## Step 1:

Unfold base into a square shape and set upright on floor with tabs facing up.



## Step 2:

If the two support insert pieces are not already connected then slide together as shown.



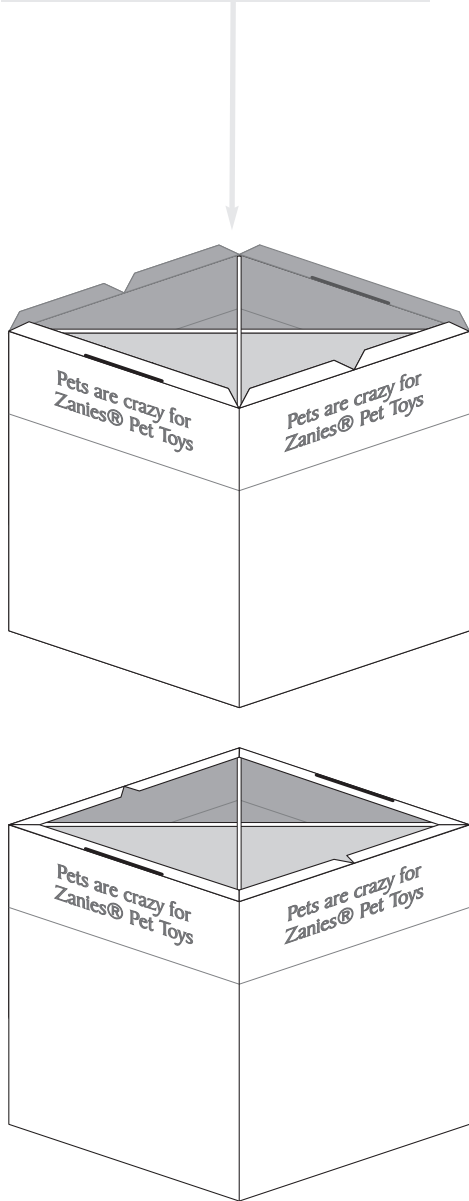
## Step 3:

Place support insert into base so that the sections reach corner-to-corner.

# Assembly Instructions: Toy Bin

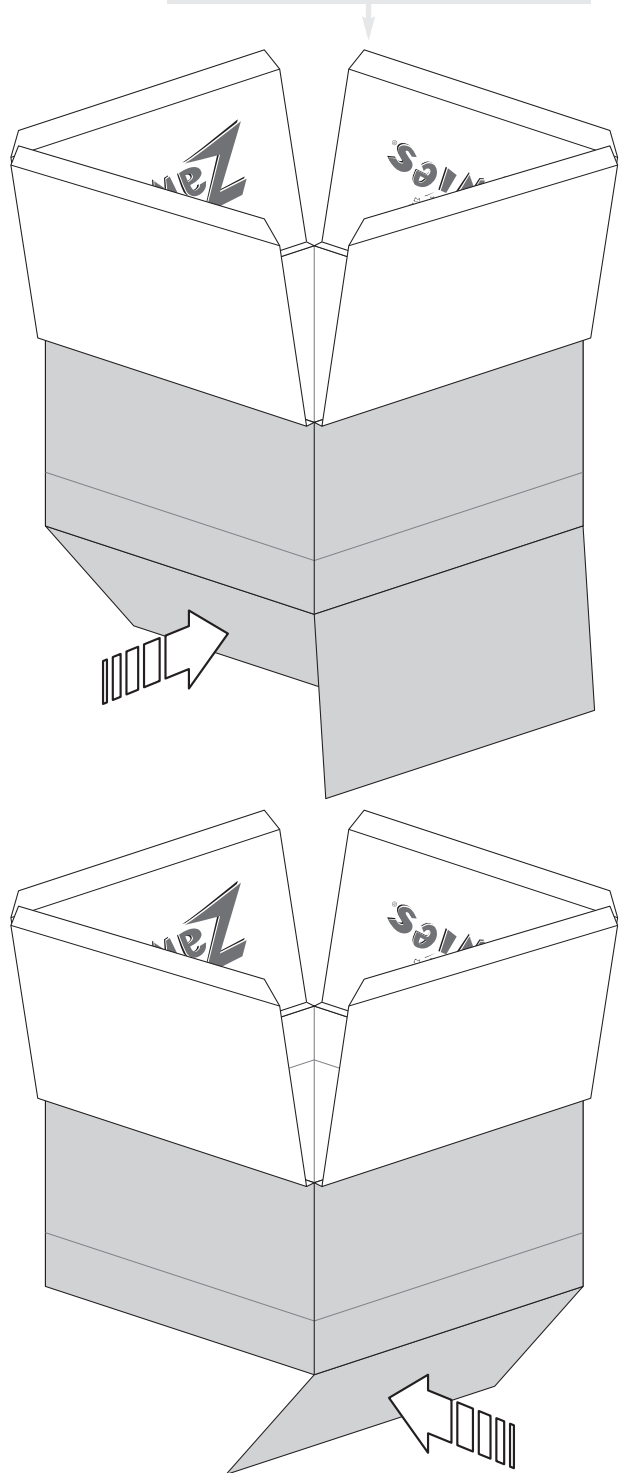
## Step 4:

Fold down the flaps on the top of the base.



## Step 5:

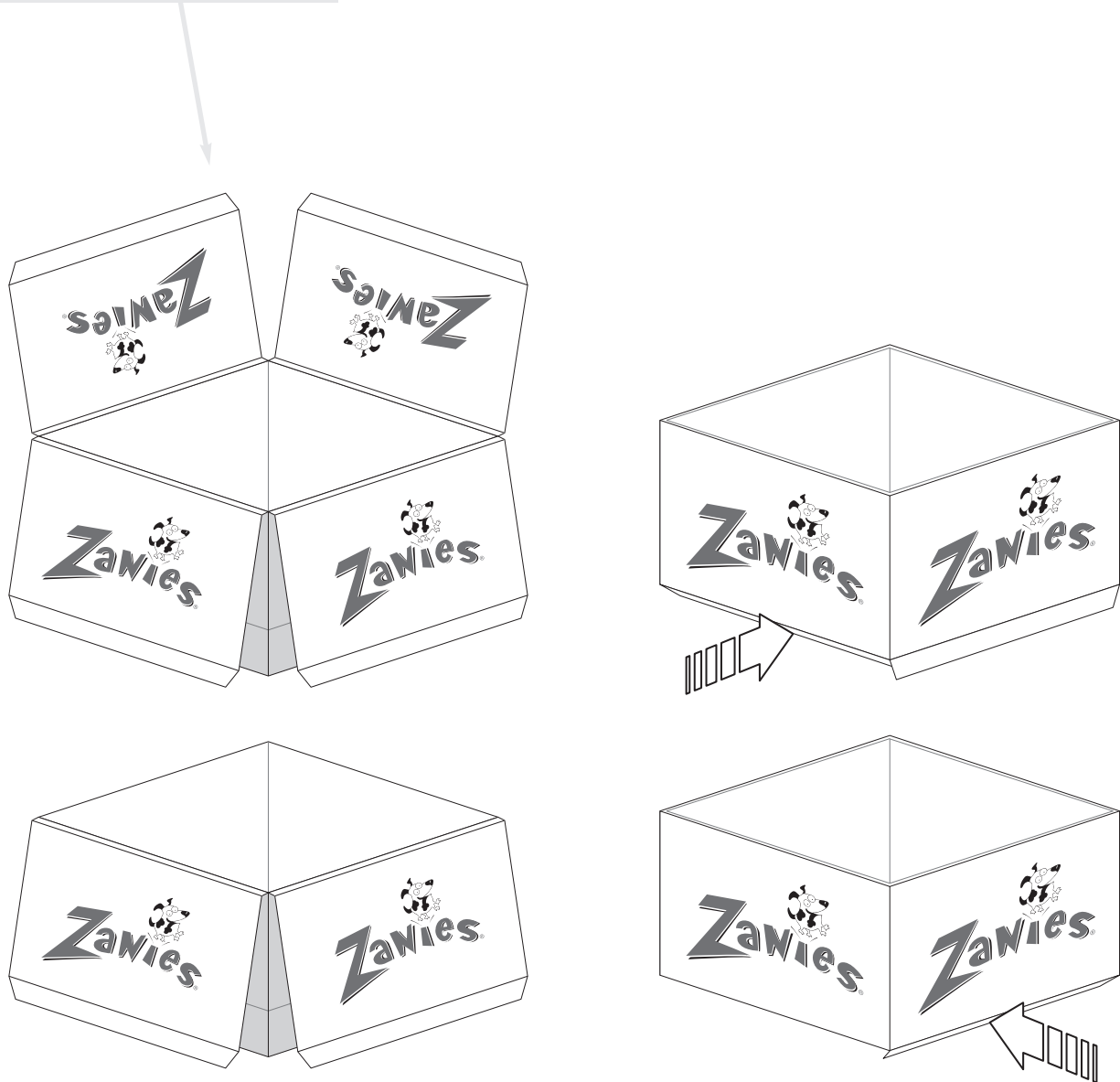
Unfold bin and fold lower flaps under to create the bottom of the bin.



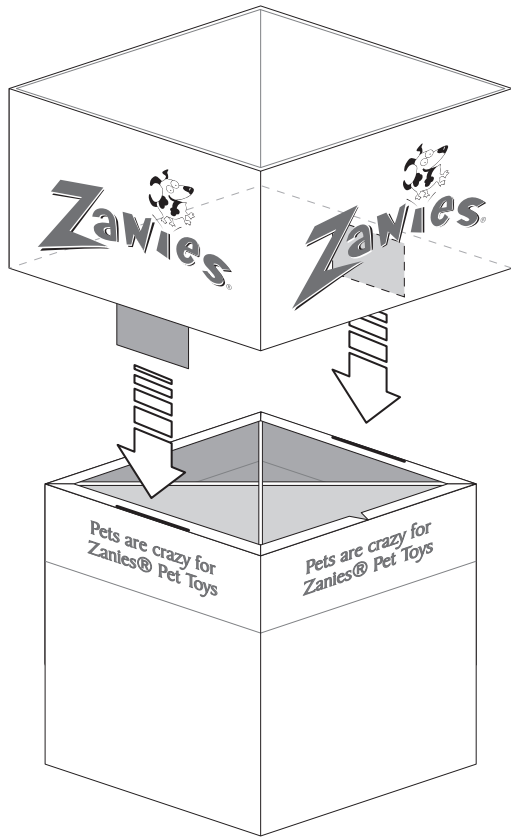
# Assembly Instructions: Toy Bin

## Step 6:

Fold larger side flaps down over the sides and under the bottom, securing the flaps with packing tape on the underside of the bin.



# Assembly Instructions: Toy Bin



## Step 7:

Place bin on top of base; insert tabs on bottom of bin into slots on top of base.

