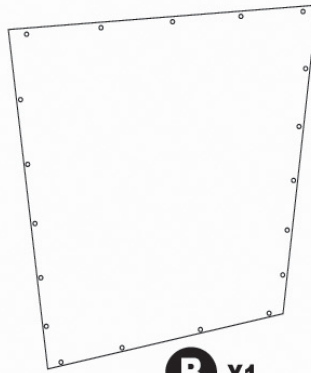


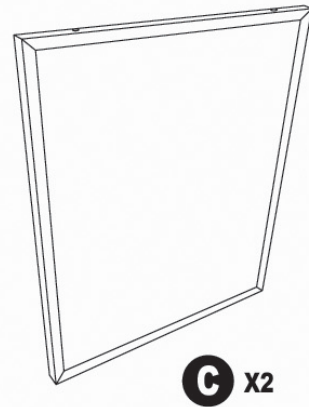
ZW1225 Stainless Steel Modular Kennel Cage Assembly Instructions Large



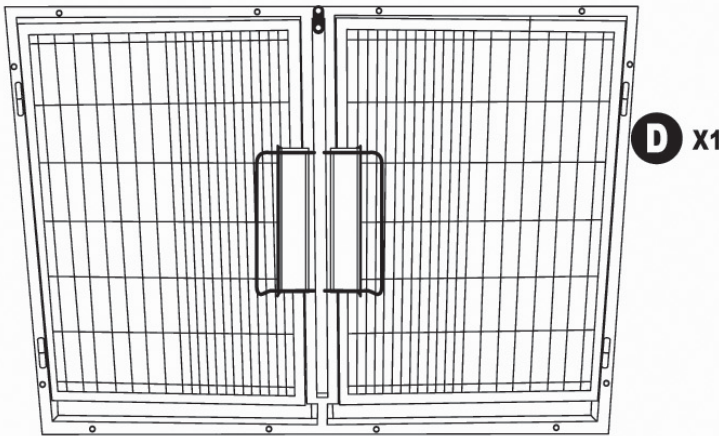
A X2



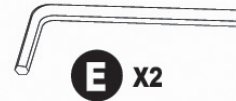
B X1



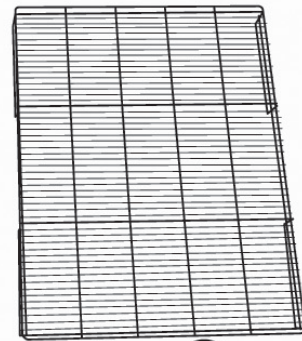
C X2



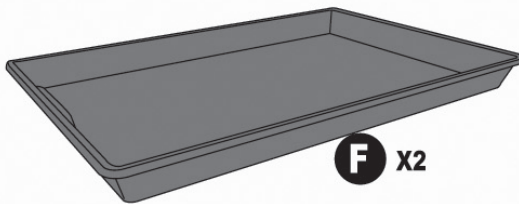
D X1



E X2



G X2



F X2



H X1



I X1



J X12



K X12



L X50bag

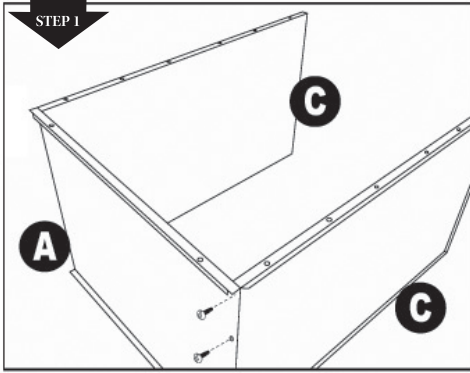


M X2

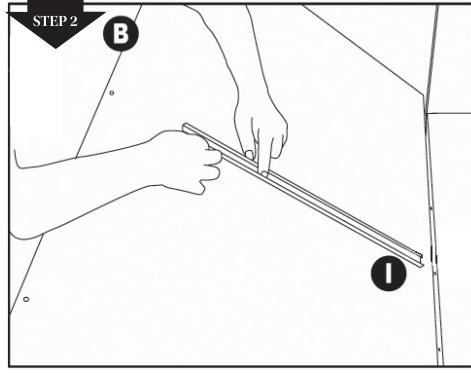
Parts List

(A) Side Panels	(2)
(B) Back Panel	(1)
(C) Top/Bottom Panels	(2)
(D) Front Door	(1)
(E) Allen Wrenches	(2)
(F) Floor Trays	(2)
(G) Floor Grates	(1)
(H) Floor Grate Connection Panel	(1)
(I) Divider Panel Holder	(1)
(J) and (K) Front Door Fasteners	(12)
(L) Screws	(50)
(M) Screw Caps	(2)

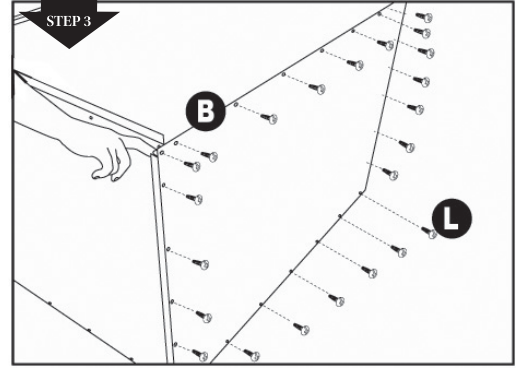
TIP: For each step, do not completely tighten screws and bolts until all have been fitted to the structure.



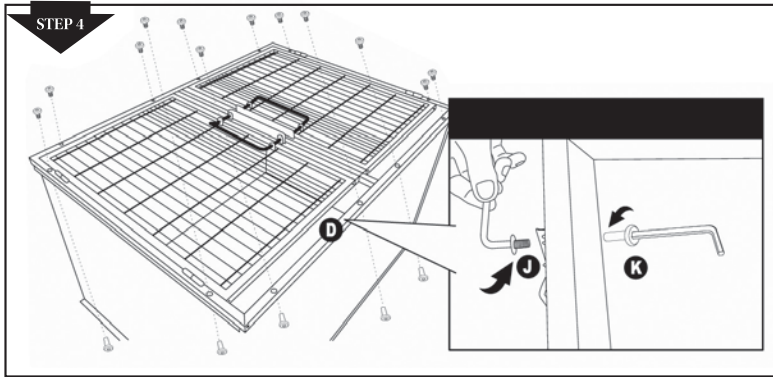
1. Connect the Side Panels (A) to the Top and Bottom Panels (C) using Screws (L). Note: the panel sides with the metal edging should all be facing out. The flat sides should face in.



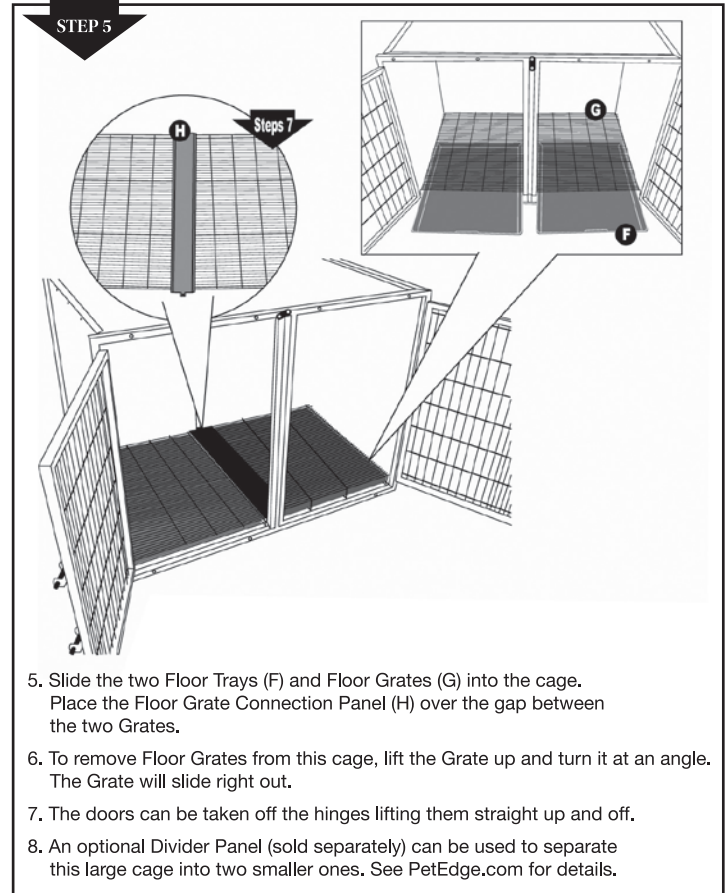
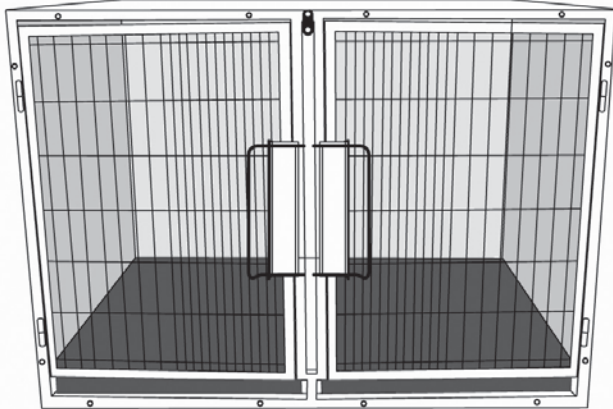
2. Connect the Dividing Panel Holder (I) to the Back Panel (B) using Screws (L). Note: The end where the Dividing Panel Holder (I) is closer to the edge of the Back Panel is the bottom end. To ensure safety use the Screw Caps (M) to cover the screws on the back side of the Back Panel.



3. Connect the Back Panel (B) to the assembled panels using Screws (L).



4. Secure the Front Door (D) to the assembled panels using bolts J and K. The smaller (J) bolts should connect from the front, the larger (K) bolts from the back. Use the two Allen Wrenches (E) secure the bolts as shown.



5. Slide the two Floor Trays (F) and Floor Grates (G) into the cage. Place the Floor Grate Connection Panel (H) over the gap between the two Grates.
 6. To remove Floor Grates from this cage, lift the Grate up and turn it at an angle. The Grate will slide right out.
 7. The doors can be taken off the hinges lifting them straight up and off.
 8. An optional Divider Panel (sold separately) can be used to separate this large cage into two smaller ones. See PetEdge.com for details.

Care Instructions:

Clean with mild soap or a stainless-steel approved cleaner only. Do not use harsh or abrasive cleaners, bleach, or tools with metal or textured parts. These can scratch or damage the finish.

LIMITED WARRANTY

1 Year Limited Warranty covers any defects in parts, materials and workmanship.

*NOTE: Rust is not a defect and not covered under the warranty. 1 Year Limited Rust Warranty on rust-resistance not caused by user error. 1 Year Limited Warranty for parts, materials, and workmanship.. Please contact Boss Pet Products Customer Service at 1-800-638-5754 regarding any defective product. Boss Pet Products will not be liable under this warranty for any defect, failure or malfunction of this product caused by normal wear, abuse, misuse, unauthorized adjustments or repairs. Boss Pet Products will not be liable for any incidental or consequential damages of any type. Any implied warranty is limited to the one-year period provided in this express warranty. Some states do not allow limitations on how long an implied warranty lasts or exclusion or limitation of incidental or consequential damages, so the above limitations or exclusions may not apply to you. Warranty is void if product has been modified in any manner, repaired by anyone other than Boss Pet Products or has been subject to unreasonable use. Warranty is valid in the United States.

Date Purchase: _____



Manufactured for

© Boss Pet Products, Inc., Danvers, MA 01923

MADE IN TAIWAN